



FEET SINGER-BROTHER-JUKI-MITSUBISHI-SEIKO-etc.
107W - 457G - 457U - 112W - 212W - 111W - 211W - etc.

 <p>Ref : S111ZL Linkse ritsvoet <i>Pied tirette gauche</i> Zipper foot left 071.350.385</p>	 <p>Ref : S111ZR Rechtse ritsvoet <i>Pied tirette droite</i> Zipper foot right 071.350.386</p>	 <p>Ref : P882 (=229882) Hinged zipper foot 071.371.080</p>
 <p>Ref : P375B Zig-zag foot 3 mm. 071.321.091</p>	 <p>Ref : 210568 Hinged presser foot closed toe 6mm. 071.370.022</p>	 <p>Ref : 210569 Hinged presser foot open toe 6mm. 071.370.023</p>
 <p>Ref : 3406 L Links comp. voet Left comp. foot Needle width : 6,5mm. Foot bottom width : 11,5mm. 071.375.049</p>	 <p>Ref : 3407 R Rechts comp. voet Right comp. foot Needle width : 6,5mm. Foot bottom width : 11,5mm. 071.375.050</p>	 <p>Ref : 503595 Zig-zag - 10mm. 085.503.595</p>
 <p>Ref : 503736 085.503.736</p>	 <p>Ref : 411314 071.375.075</p>	 <p>Ref : 503660 085.503.660</p>
 <p>Ref : 503595 HK 071.375.081</p>	 <p>Ref : 503689 071.375.085</p>	 <p>Ref : 503689 HK 071.375.086</p>
 <p>Ref : 503818 071.375.090</p>	 <p>Ref : 411215 071.375.073</p>	 <p>Ref : HM 4-7 Bottom width : 17,5mm. Needle hole width : 9mm. 071.340.698</p>
 <p>Ref : 503896 = S457AT 5→20mm. 085.503.896</p>	 <p>Ref : 503595 MG = S457GB Zig-zag - 10mm. 071.375.080</p>	 <p>Ref : 603766 MG = 23766 Zig-zag - 10mm. 071.375.180</p>
 <p>Ref : A112N = 212-005A 1/4 071.376.100 3/16 071.376.102</p>	 <p>Ref : 503896A = 457 A Zig-zag - 10mm. 071.375.100</p>	 <p>Ref : 457 (AA) = 503896 N Zig-zag - 10mm. 071.375.105</p>


FEET SINGER-BROTHER-JUKI-MITSUBISHI-SEIKO-etc.
107W - 457G - 457U - 112W - 212W - 111W - 211W - etc.



Ref : Closed toe foot
 224127 - 1/16
 224158 - 3/32
 224158 - 1/8 **071.370.450**
 224158 - 5/32
 223759 - 7/32 **071.370.145**
 223759 - 1/4 **071.370.050**
 223759 - 9/32 **071.370.150**
 223759 - 5/16 **071.370.135**
 223759 - 11/32
 223759 - 3/8 **071.370.090**
 223759 - 7/16
 223759 - 3/16 **071.370.045**
 223759 - 1/2 **071.370.110**
 223759 - 9/16
 223759 - 5/8 **071.370.130**
 223759 - 3/4 **071.370.140**
 223759 - 7/8
 223759 - 1 **071.370.040**
 223759 - 1.1/8
 223759 - 1.1/4
 223759 - 1.3/8 **71.370.180**
 223759 - 1.1/2
 223759 - 1.5/8
 223759 - 1.3/4
 223759 - 1.7/8 **71.370.185**



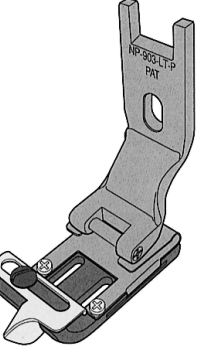
Ref : Open toe presser foot
 223799 - 1/8 **071.370.280**
 223799 - 3/16 **071.370.290**
 224062 - 1/4 **071.370.300**
 224062 - 9/32
 224062 - 5/16 **071.370.320**
 224080 - 3/8
 224080 - 7/16
 224082 - 1/2
 224082 - 9/16
 224084-5/8 **071.370.400**
 223771 - 3/4
 224133 - 7/8
 224068 - 1
 224086 - 11/8
 224088 - 11/4
 224088 - 13/8
 224078 - 11/2



Ref : Solid presser foot
 229092 - 1/32
 229092 - 1/16
 229102 - 3/32
 229102 - 1/8
 229102 - 5/32
 229102 - 3/16 **071.370.750**
 229102 - 7/32
 229103 - 1/4 **071.370.770**
 229103 - 9/32
 229103 - 5/16 **071.370.790**
 229104 - 11/32
 229104 - 3/8
 229104 - 7/16
 229104 - 1/2
 229105 - 9/16
 229106 - 5/8
 229107 - 3/4
 229108 - 7/8
 229110 - 1
 229110 - 1.1/8
 229110 - 1.1/4
 229110 - 1.3/8
 229110 - 1.1/2



Ref : Closed toe zipper foot
 259635 - 1/8 **071.371.995**
 259635 - 3/16 **071.371.990**
 259635 - 1/4 **071.372.000**



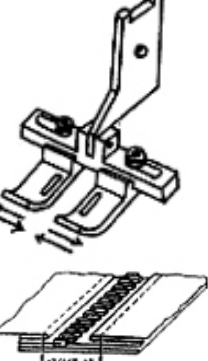
Ref : NP-903-LTP
 See through plastic 2-needle ski foot with teflon sheet
 Plastic, transparent
 Sizes :
 1/4 **071.321.910**



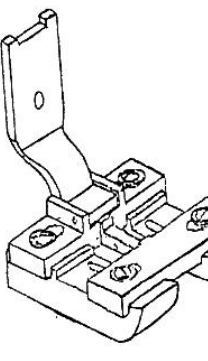
Ref : NP-903-LTS
 Teflon plated steel 2-needle ski foot
 Sizes :
 1/4 **071.321.920**



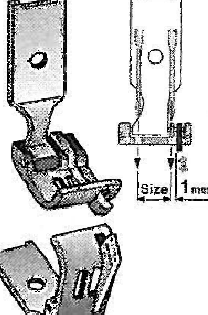
Ref : MT112 = NT-16W
 Hinged teflon foot
 Sizes :
 1/8
 5/32
 3/16 **071.310.401**
 1/4 **071.310.400**
 5/16
 3/8
 1/2
 5/8
 3/4
 7/8 **071.310.402**



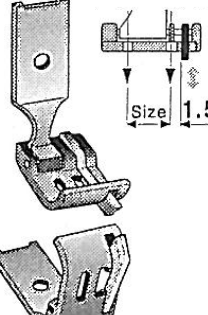
Ref : 224060 A
 Adj. zipper foot from 7/16" to 1".
 Ideal for sewing zipper and cord etc.
071.370.295



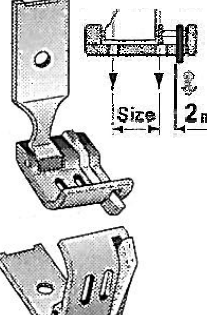
Ref : 224060 S
 Adjustable piping and cord foot for 2-needle machines from 3/8" to 3/4".
 Also ideal for zipper setting.
071.370.298



Ref : P112B (S570)
 For brassiere as thin materials.
 Sizes :
 1/8-3,2mm. **071.320.744**
 3/16-4,8mm. **071.320.743**
 1/4-6,4mm. **071.320.742**
 5/16-8,0mm. **071.320.740**
 3/8-9,5mm. **071.320.741**

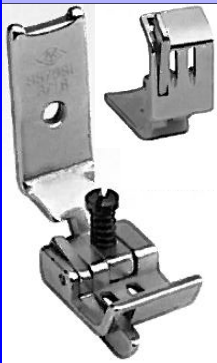


Ref : P112M (S570S)
 For shirts as medium materials.
 Sizes :
 3/16-4,8mm. **071.320.736**
 1/4-6,4mm. **071.320.737**
 5/16-8,0mm. **071.320.738**
 3/8-9,5mm. **071.320.739**

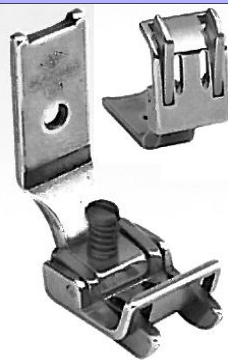


Ref : P112J
 For jeans as heavy materials.
 Sizes :
 3/16-4,8mm. **71.320.747**
 1/4-6,4mm. **71.320.746**
 5/16-8,0mm. **71.320.745**

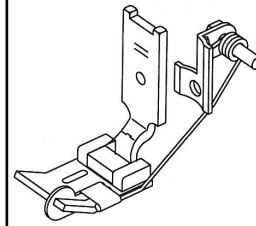
FEET SINGER-BROTHER-JUKI-MITSUBISHI-SEIKO-etc.
107W - 457G - 457U - 112W - 212W - 111W - 211W - etc.



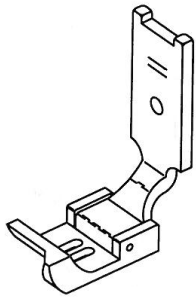
Ref : P112BL=S570SL
 Brassiere foot with
 guide left
 Sizes :
 1/8-1/32 **071.320.733**
 3/16-1/32 **071.320.735**
 1/4-1/32 **071.320.730**
 5/16-1/32
 3/8-1/32
 1/2-1/32



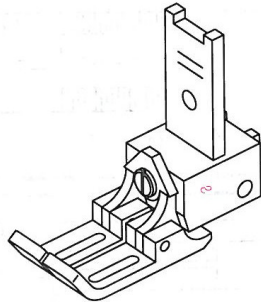
Ref : P112BD=S570SD
 Brassiere foot with
 guide double
 Sizes :
 1/8-1/32
 3/16-1/32 **071.320.721**
 1/4-1/32 **071.320.720**
 1/8-1/16
 3/16-1/16
 1/4-1/16



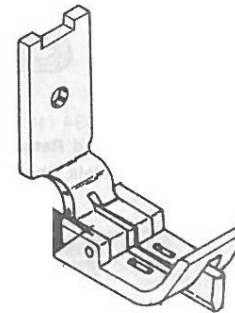
Ref : 248454
 Spring guide hinged
 presser foot,
 complete
 Sizes :
 3/16 **071.371.800**
 1/4 **071.371.810**



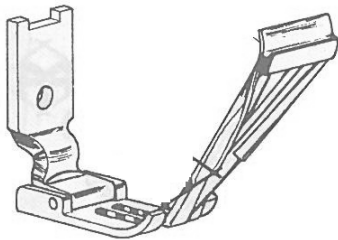
Ref : 223773
 Edge guide foot
 Sizes :
 1/8 **071.370.230**
 3/16 **071.370.240**
 1/4 **071.370.250**



Ref : P112WC9
 Double compensating
 foot
Double compensé
 Sizes :
 1/4 **071.320.700**
 1.3/8 **071.320.705**
 1.1/4 **071.320.703**



Ref :
224158 K 1/8
071.370.451
224158 K 3/16
071.370.461
223759 K 1/4
071.370.200



Ref : P112 SF
 Sizes :
 1/8 **071.320.750**
 3/16 **071.320.760**
 1/4 **071.320.770**



Ref : 224165
 Top stitch foot
 Sizes :
 1/4 **071.370.580**
 3/16 **071.370.570**