

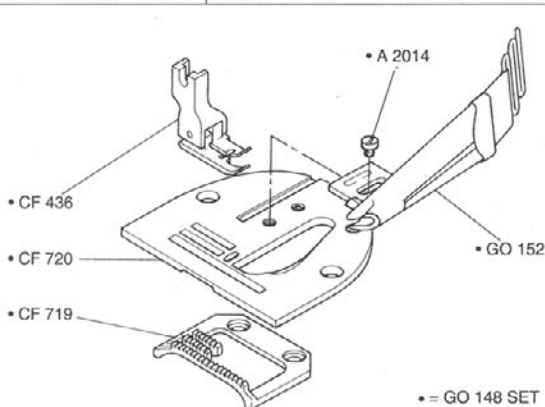
# GO 148 SET

RAW EDGE TAPE  
BINDER FOR  
NECCHI 720

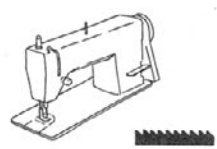
BORDATORE PER  
NECCHI 720

BORDEUR SIMPLE  
REMPII POUR  
NECCHI 720

GUIADOR SIMPLE  
PARA NECCHI 720



mm	inch	mm	inch		
10	3/8	5	3/16	M	CF 436/1
12	1/2	6	1/4	M	CF 436/1
14	9/16	7	9/32	M	CF 436/1
16	5/8	8	5/16	M	CF 436/2
18	11/16	9	11/32	M	CF 436/2
20	3/4	10	3/8	M - H	CF 436/2
22	7/8	11	7/16	M	CF 436/2
25	1	12,5	1/2	M - H	CF 436/2
28	1 - 1/8	14	9/16	M	CF 436/2
30	1 - 3/16	15	19/32	M - H	CF 436/2
35	1 - 3/8	17,5	11/16	M - H	CF 436/2



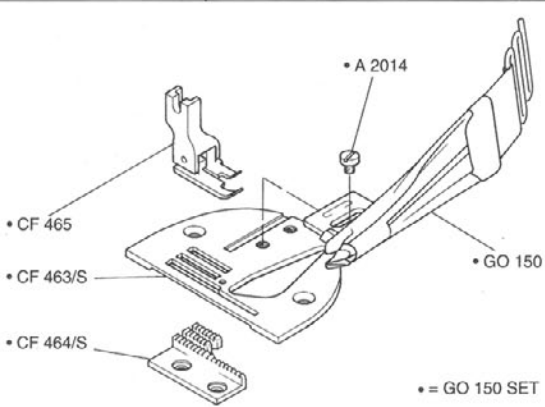
# GO 150 SET

RIGHT ANGLE BINDER  
FOR STANDARD  
LOCKSTITCH  
MACHINES

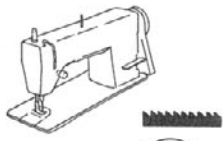
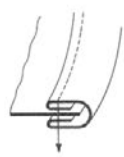
BORDATORE PER  
MACCHINE  
LINEARI  
NON RASAFILO

BORDEUR DOUBLE  
REMPII POUR  
TOUTES PIQUEUSES  
A POINT NOUE

GUIADOR DOBLE  
PARA MAQUINAS  
DE PESPUENTE



mm	inch	mm	inch		
13	1/2	3,5	1/8	M	CF 465/0
16	5/8	4	5/32	M	CF 465/0
18	11/16	4,5	11/64	M	CF 465/0
20	3/4	5	3/16	M and H	CF 465/1
22	7/8	6	1/4	M and H	CF 465/1
25	1	7	9/32	M and H	CF 465/1
28	1 - 1/8	8	5/16	M and H	CF 465/2
30	1 - 3/16	9	11/32	M and H	CF 465/3
32	1 - 1/4	10	3/8	M and H	CF 465/3
35	1 - 3/8	11	7/16	M and H	CF 465/4
40	1 - 9/16	12	15/32	M and H	CF 465/5
45	1 - 3/4	14	9/16	M and H	CF 465/6
50	2	16	5/8	M	CF 465/6





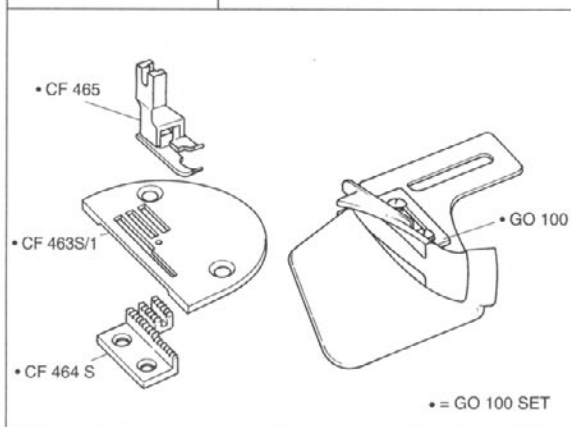
# GO 100 SET

BINDER FOR  
STIFF RIBBONS

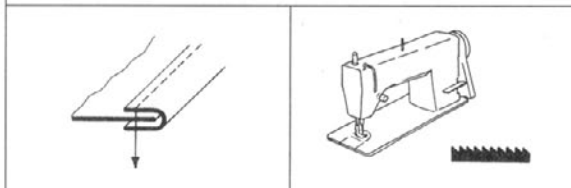
BORDATORE PER  
NASTRI RIGIDI

BORDEUR POUR  
RUBANS RIGIDES

GUIADOR SIMPLE  
PARA CINTAS RIGIDAS



mm	inch	mm	inch		
10	3/8	5	3/16	M	CF 465/1
12	1/2	6	1/4	M	CF 465/1
14	9/16	7	9/32	M	CF 465/2
16	5/8	8	5/16	M	CF 465/3
19	3/4	9,5	3/8	M - H	CF 465/4
22	7/8	11	7/16	M	CF 465/5
25	1	12,5	1/2	M - H	CF 465/5
28	1 - 1/8	14	9/16	M	CF 465/5
30	1 - 3/16	15	19/32	M - H	CF 465/5
32	1 - 1/4	16	5/8	M	CF 465/5
35	1 - 3/8	17,5	11/16	M - H	CF 465/5
40	1 - 9/16	20	3/4	M	CF 465/5
45	1 - 3/4	22	7/8	M	CF 465/5



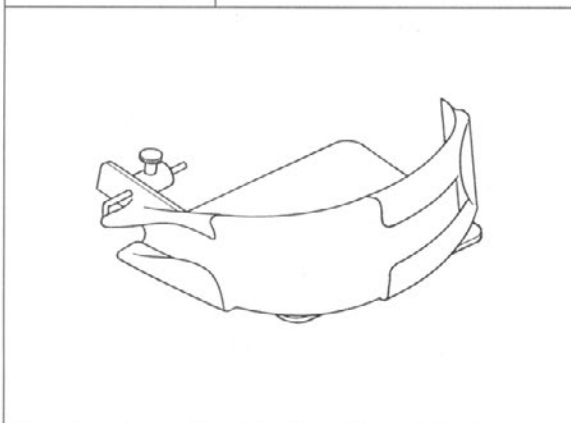
# GO 102

BINDER FOR  
PLASTIC  
MATERIAL

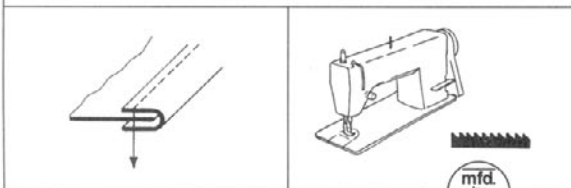
BORDATORE PER  
MATERIALI  
PLASTICI

BORDEUR POUR  
RUBANS  
PLASTIQUES

GUIADOR PARA  
MATERIALES  
PLASTICOS







MANUFACTURED ON REQUEST  
COSTRUITO SU RICHIESTA  
FABRIQUE SUR COMMANDE  
SE CONSTRUYE SOBRE DEMANDA

## GO 200 SET

SINGLE HEMMER  
COMPLETE  
WITH FOOT

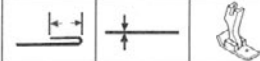
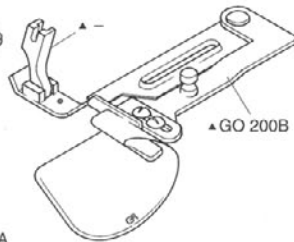
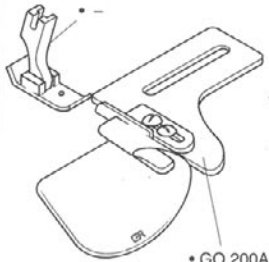
ORLATORE CON  
PIEDINO

GUIDE RABATTEUR  
AVEC  
PIED-DE-BICHE

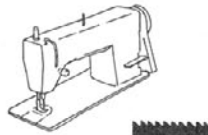
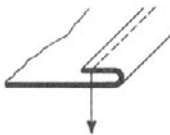
ORILLADOR  
SIMPLE CON  
PRENSATELAS

• = GO 200A SET

▲ = GO 200B SET



mm	inch		
4	5/32	M	CF 504
5	3/16	M	CF 505
6	1/4	M	CF 506
7	9/32	M	CF 507
8	5/16	M	CF 508
9	11/32	M	CF 509
10	3/8	M - H	CF 510
12	1/2	M	CF 512
14	9/16	M	CF 512
16	5/8	M	CF 512
20	3/4	M	CF 515
25	1	M	
30	1-3/16	M	
35	1-3/8	M	



## GO 201 SET

SPRING HEMMER  
WITH FOOT

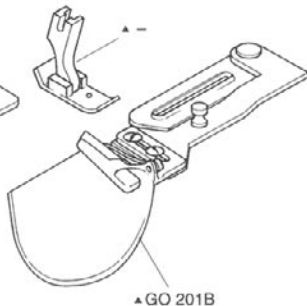
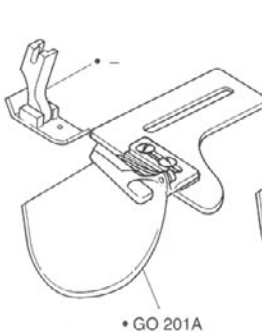
ORLATORE  
SEMPLICE CON  
MOLLA COMPLETO  
DI PIEDINO

RABATTEUR SIMPLE  
AVEC RESSORT  
COMPLET AVEC  
PIED-DE-BICHE

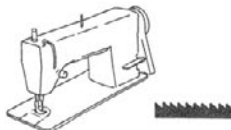
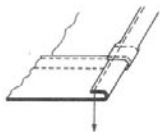
ORILLADOR  
SIMPLE CON  
MUELLE COMPLETO  
DE PRENSATELAS

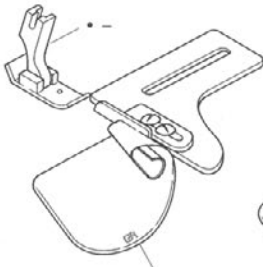
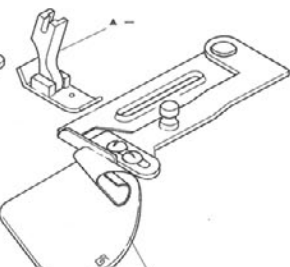
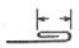
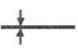

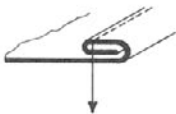
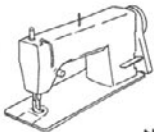

• = GO 201A SET

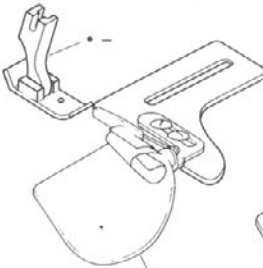
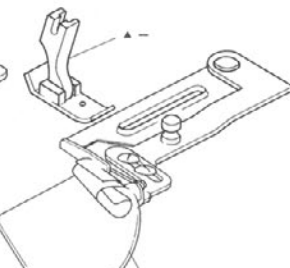
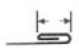



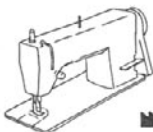

▲ = GO 201B SET

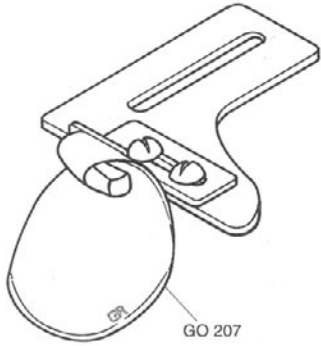
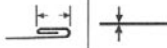
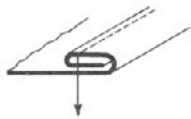
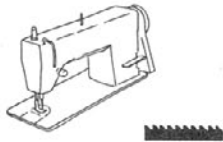
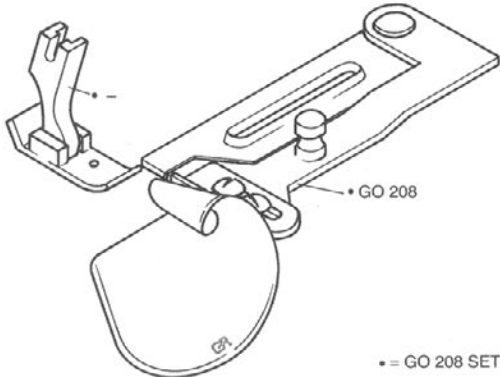
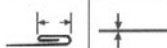

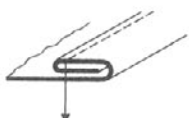
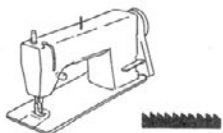



mm	inch		
5	3/16	M	CF 505
7	9/32	M	CF 507



GO 205 SET	HEMMER WITH FOOT	ORLATORE CON PIEDINO	GUIDE ORLEUR AVEC PIED-DE-BICHE	ORILLADOR CON PRENSATELAS																																										
<p>• = GO 205A SET</p>  <p>• GO 205A</p>	<p>▲ = GO 205B SET</p>  <p>▲ GO 205B</p>	 <table border="1"> <thead> <tr> <th>mm</th> <th>inch</th> </tr> </thead> <tbody> <tr><td>3</td><td>1/8</td></tr> <tr><td>4</td><td>5/32</td></tr> <tr><td>5</td><td>3/16</td></tr> <tr><td>6</td><td>1/4</td></tr> <tr><td>7</td><td>9/32</td></tr> <tr><td>8</td><td>5/16</td></tr> <tr><td>9</td><td>11/32</td></tr> <tr><td>10</td><td>3/8</td></tr> <tr><td>12</td><td>1/2</td></tr> <tr><td>15</td><td>5/8</td></tr> </tbody> </table>	mm	inch	3	1/8	4	5/32	5	3/16	6	1/4	7	9/32	8	5/16	9	11/32	10	3/8	12	1/2	15	5/8	 <table border="1"> <tbody> <tr><td>L</td></tr> <tr><td>L - M</td></tr> <tr><td>L - M</td></tr> <tr><td>L - M</td></tr> <tr><td>L - M</td></tr> <tr><td>L - M - H</td></tr> <tr><td>L - M</td></tr> <tr><td>L - M - H</td></tr> <tr><td>L - M</td></tr> <tr><td>L - M</td></tr> </tbody> </table>	L	L - M	L - M	L - M	L - M	L - M - H	L - M	L - M - H	L - M	L - M	 <table border="1"> <tbody> <tr><td>CF 503</td></tr> <tr><td>CF 504</td></tr> <tr><td>CF 505</td></tr> <tr><td>CF 506</td></tr> <tr><td>CF 507</td></tr> <tr><td>CF 508</td></tr> <tr><td>CF 509</td></tr> <tr><td>CF 510</td></tr> <tr><td>CF 512</td></tr> <tr><td>CF 515</td></tr> </tbody> </table>	CF 503	CF 504	CF 505	CF 506	CF 507	CF 508	CF 509	CF 510	CF 512	CF 515
mm	inch																																													
3	1/8																																													
4	5/32																																													
5	3/16																																													
6	1/4																																													
7	9/32																																													
8	5/16																																													
9	11/32																																													
10	3/8																																													
12	1/2																																													
15	5/8																																													
L																																														
L - M																																														
L - M																																														
L - M																																														
L - M																																														
L - M - H																																														
L - M																																														
L - M - H																																														
L - M																																														
L - M																																														
CF 503																																														
CF 504																																														
CF 505																																														
CF 506																																														
CF 507																																														
CF 508																																														
CF 509																																														
CF 510																																														
CF 512																																														
CF 515																																														
	 																																													

GO 206 SET	SPRING HEMMER WITH FOOT	ORLATORE CON MOLLA COMPLETO DI PIEDINO	GUIDE ORLEUR AVEC RESSORT COMPLET AVEC PIED-DE-BICHE	ORILLADOR CON MUELLE COMPLETO DE PRENSATELAS																														
<p>• = GO 206A SET</p>  <p>• GO 206A</p>	<p>▲ = GO 206B SET</p>  <p>▲ GO 206B</p>	 <table border="1"> <thead> <tr> <th>mm</th> <th>inch</th> </tr> </thead> <tbody> <tr><td>3</td><td>1/8</td></tr> <tr><td>4</td><td>5/32</td></tr> <tr><td>5</td><td>3/16</td></tr> <tr><td>6</td><td>1/4</td></tr> <tr><td>8</td><td>5/16</td></tr> <tr><td>10</td><td>3/8</td></tr> <tr><td>12</td><td>1/2</td></tr> </tbody> </table>	mm	inch	3	1/8	4	5/32	5	3/16	6	1/4	8	5/16	10	3/8	12	1/2	 <table border="1"> <tbody> <tr><td>M</td></tr> <tr><td>M</td></tr> <tr><td>M</td></tr> <tr><td>M</td></tr> <tr><td>M</td></tr> <tr><td>M</td></tr> <tr><td>M</td></tr> </tbody> </table>	M	M	M	M	M	M	M	 <table border="1"> <tbody> <tr><td>CF 503</td></tr> <tr><td>CF 504</td></tr> <tr><td>CF 505</td></tr> <tr><td>CF 506</td></tr> <tr><td>CF 508</td></tr> <tr><td>CF 510</td></tr> <tr><td>CF 512</td></tr> </tbody> </table>	CF 503	CF 504	CF 505	CF 506	CF 508	CF 510	CF 512
mm	inch																																	
3	1/8																																	
4	5/32																																	
5	3/16																																	
6	1/4																																	
8	5/16																																	
10	3/8																																	
12	1/2																																	
M																																		
M																																		
M																																		
M																																		
M																																		
M																																		
M																																		
CF 503																																		
CF 504																																		
CF 505																																		
CF 506																																		
CF 508																																		
CF 510																																		
CF 512																																		
	 																																	

GO 207	HEMMER FOR CURVED AND STRAIGHT POCKETS	ORLATORE PER TASCHE CURVE E DIRITTE	GUIDE OURLEUR POUR POCHES COURBES ET DROITES	ORILLADOR PARA BOLSILLOS CURVOS Y RECTOS																
 <p>GO 207</p>		 <table border="1" data-bbox="673 252 841 315"> <tr> <td>mm</td> <td>inch</td> <td></td> </tr> <tr> <td>10</td> <td>3/8</td> <td>H</td> </tr> <tr> <td>12</td> <td>1/2</td> <td>H</td> </tr> </table>		mm	inch		10	3/8	H	12	1/2	H								
mm	inch																			
10	3/8	H																		
12	1/2	H																		
																				
GO 208 SET	HEMMER FOR BATH-TOWELS WITH FOOT	ORLATORE PER CIMOSA DI SPUGNA CON PIEDINO	GUIDE OURLEUR POUR TISSU- EPONGE AVEC PIED-DE-BICHE	ORILLADOR PARA ACABADOS EN TEJIDO DE RIZO CON PRENSATELAS																
 <p>GO 208</p> <p>• = GO 208 SET</p>		 <table border="1" data-bbox="673 970 841 1052"> <tr> <td>mm</td> <td>inch</td> <td></td> </tr> <tr> <td>6</td> <td>1/4</td> <td>M</td> </tr> <tr> <td>8</td> <td>5/16</td> <td>M</td> </tr> <tr> <td>10</td> <td>3/8</td> <td>M</td> </tr> </table>		mm	inch		6	1/4	M	8	5/16	M	10	3/8	M	 <table border="1" data-bbox="880 989 930 1052"> <tr> <td>CF 508</td> </tr> <tr> <td>CF 508</td> </tr> <tr> <td>CF 510</td> </tr> </table>		CF 508	CF 508	CF 510
mm	inch																			
6	1/4	M																		
8	5/16	M																		
10	3/8	M																		
CF 508																				
CF 508																				
CF 510																				
																				

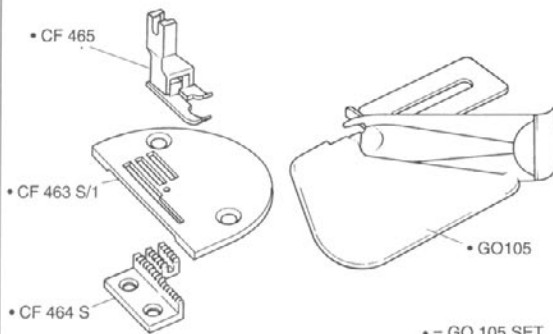
# GO 105 SET

BINDER

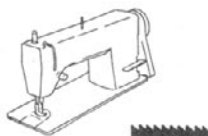
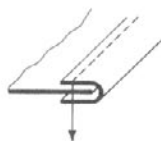
BORDATORE

BORDEUR

GUIADOR



mm	inch	mm	inch	L	
10	3/8	5	3/16	L	CF 465/1
12	1/2	6	1/4	L	CF 465/1
14	9/16	7	9/32	L	CF 465/2
16	5/8	8	5/16	L	CF 465/2
18	11/16	9	11/32	L	CF 465/3
20	3/4	10	3/8	L	CF 465/4
22	7/8	11	7/16	L	CF 465/5
25	1	12,5	1/2	L	CF 465/5
28	1 - 1/8	14	9/16	L	CF 465/5
30	1 - 3/16	15	19/32	L	CF 465/5
32	1 - 1/4	16	5/8	L	CF 465/5



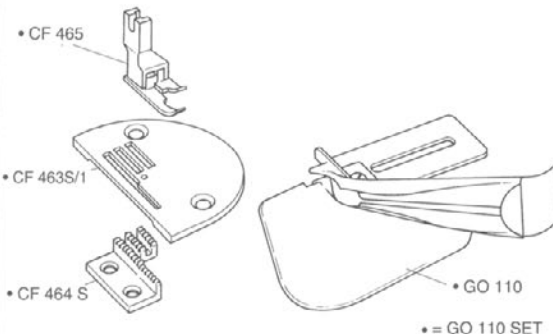
# GO 110 SET

BINDER

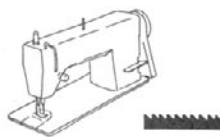
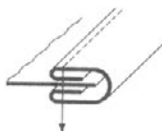
BORDATORE

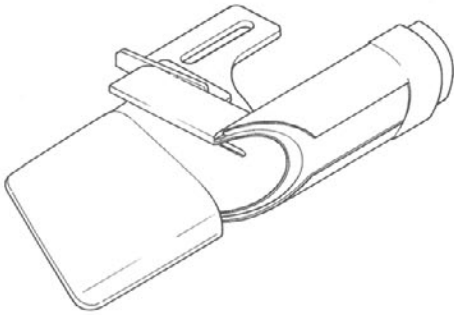
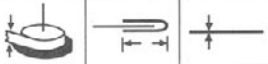
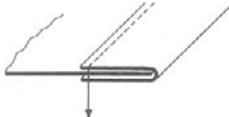
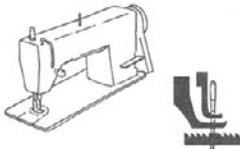
BORDEUR

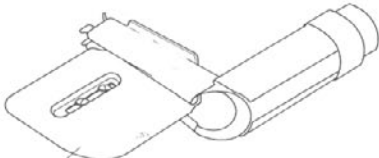

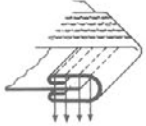
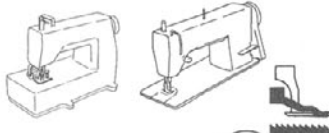

GUIADOR



mm	inch	mm	inch	L	
16	5/8	4	5/32	L	CF 465/1
19	3/4	5	3/16	L	CF 465/1
22	7/8	6	1/4	L	CF 465/1
25	1	7	9/32	L	CF 465/2
28	1 - 1/8	7,5	5/16	L	CF 465/2
30	1 - 3/16	8	5/16	L - H	CF 465/3
32	1 - 1/4	8,5	11/32	L	CF 465/3
35	1 - 3/8	9	11/32	L - H	CF 465/4
40	1 - 9/16	11	7/16	L - H	CF 465/5
45	1 - 3/4	12	1/2	L - H	CF 465/5



<b>GO 323</b>	ELBOW RAW EDGE TAPE BINDER	BORDATORE AD ANGOLO	BORDEUR ANGULAIRE SIMPLE REMPLI	GUIADOR SIMPLE A ANGULO																														
		 <table border="1" data-bbox="669 255 854 365"> <thead> <tr> <th>mm</th> <th>inch</th> <th>mm</th> <th>inch</th> <th></th> </tr> </thead> <tbody> <tr> <td>55</td> <td>2-3/16</td> <td>27</td> <td>1-1/16</td> <td>L - M - H</td> </tr> <tr> <td>60</td> <td>2-3/8</td> <td>30</td> <td>1-3/16</td> <td>L - M - H</td> </tr> <tr> <td>70</td> <td>2-3/4</td> <td>35</td> <td>1-3/8</td> <td>L - M - H</td> </tr> <tr> <td>80</td> <td>3-1/8</td> <td>40</td> <td>1-9/16</td> <td>L - M - H</td> </tr> <tr> <td>90</td> <td>3-9/16</td> <td>45</td> <td>1-3/4</td> <td>L - M - H</td> </tr> </tbody> </table>		mm	inch	mm	inch		55	2-3/16	27	1-1/16	L - M - H	60	2-3/8	30	1-3/16	L - M - H	70	2-3/4	35	1-3/8	L - M - H	80	3-1/8	40	1-9/16	L - M - H	90	3-9/16	45	1-3/4	L - M - H	
mm	inch	mm	inch																															
55	2-3/16	27	1-1/16	L - M - H																														
60	2-3/8	30	1-3/16	L - M - H																														
70	2-3/4	35	1-3/8	L - M - H																														
80	3-1/8	40	1-9/16	L - M - H																														
90	3-9/16	45	1-3/4	L - M - H																														
		<p>MANUFACTURED ON REQUEST COSTRUITO SU RICHIESTA FABRIQUE SUR COMMANDE SE COSTRUYE SOBRE DEMANDA</p>																																

<p>GO 325/1 = GO 325+CF 324 GO 325/2 = GO 325+CF 326 GO 325/3 = GO 325+CF 327</p>	ELBOW BINDER FOR WAIST BANDS	BORDATORE AD ANGOLO PER CINTURE	BORDEUR ANGULAIRE POUR CEINTURES	GUIADOR A ANGULO RECTO PARA PRETINAS																																																																						
 <p>CF 324 UNIVERSAL</p> <p>CF 326 RIMOLDI</p> <p>CF 327 SINGER</p> <p>GO 325</p>		 <table border="1" data-bbox="669 984 854 1235"> <thead> <tr> <th>mm</th> <th>inch</th> <th>mm</th> <th>inch</th> <th></th> </tr> </thead> <tbody> <tr> <td>70</td> <td>2-3/4</td> <td>25</td> <td>1</td> <td>L</td> </tr> <tr> <td>80</td> <td>3-1/8</td> <td>28</td> <td>1-1/8</td> <td>L</td> </tr> <tr> <td>85</td> <td>3-3/8</td> <td>32</td> <td>1-1/4</td> <td>L</td> </tr> <tr> <td>85</td> <td>3-3/8</td> <td>30</td> <td>1-3/16</td> <td>L - M - H</td> </tr> <tr> <td>90</td> <td>3-17/32</td> <td>34</td> <td>1-11/32</td> <td>L</td> </tr> <tr> <td>90</td> <td>3-17/32</td> <td>33</td> <td>1-5/16</td> <td>M - H</td> </tr> <tr> <td>95</td> <td>3-3/4</td> <td>36</td> <td>1-7/16</td> <td>L - M - H</td> </tr> <tr> <td>100</td> <td>3-15/16</td> <td>40</td> <td>1-9/16</td> <td>L - M - H</td> </tr> <tr> <td>105</td> <td>4-1/8</td> <td>43</td> <td>1-11/16</td> <td>L - M - H</td> </tr> <tr> <td>110</td> <td>4-5/16</td> <td>45</td> <td>1-3/4</td> <td>L - M - H</td> </tr> <tr> <td>120</td> <td>4-3/4</td> <td>50</td> <td>2</td> <td>L - M - H</td> </tr> <tr> <td>130</td> <td>5-1/8</td> <td>55</td> <td>2-3/16</td> <td>L - M - H</td> </tr> <tr> <td>140</td> <td>5-1/2</td> <td>60</td> <td>2-3/8</td> <td>L - M - H</td> </tr> </tbody> </table>		mm	inch	mm	inch		70	2-3/4	25	1	L	80	3-1/8	28	1-1/8	L	85	3-3/8	32	1-1/4	L	85	3-3/8	30	1-3/16	L - M - H	90	3-17/32	34	1-11/32	L	90	3-17/32	33	1-5/16	M - H	95	3-3/4	36	1-7/16	L - M - H	100	3-15/16	40	1-9/16	L - M - H	105	4-1/8	43	1-11/16	L - M - H	110	4-5/16	45	1-3/4	L - M - H	120	4-3/4	50	2	L - M - H	130	5-1/8	55	2-3/16	L - M - H	140	5-1/2	60	2-3/8	L - M - H	
mm	inch	mm	inch																																																																							
70	2-3/4	25	1	L																																																																						
80	3-1/8	28	1-1/8	L																																																																						
85	3-3/8	32	1-1/4	L																																																																						
85	3-3/8	30	1-3/16	L - M - H																																																																						
90	3-17/32	34	1-11/32	L																																																																						
90	3-17/32	33	1-5/16	M - H																																																																						
95	3-3/4	36	1-7/16	L - M - H																																																																						
100	3-15/16	40	1-9/16	L - M - H																																																																						
105	4-1/8	43	1-11/16	L - M - H																																																																						
110	4-5/16	45	1-3/4	L - M - H																																																																						
120	4-3/4	50	2	L - M - H																																																																						
130	5-1/8	55	2-3/16	L - M - H																																																																						
140	5-1/2	60	2-3/8	L - M - H																																																																						
																																																																										

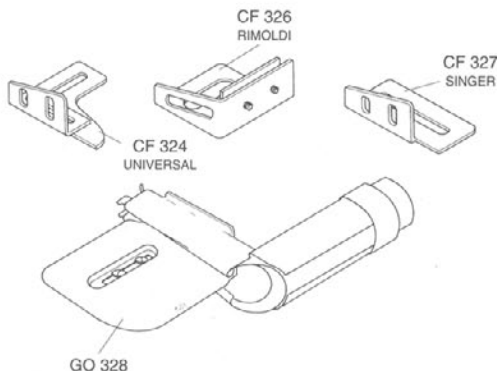
GO 328/1= GO 328+CF 324  
GO 328/2= GO 328+CF 326  
GO 328/3= GO 328+CF 327

ELBOW BINDER  
FOR BATH WRAPS

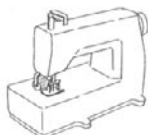
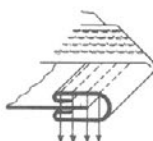
BORDATORE AD ANGOLO  
PER PARAMONTURA  
ACCAPPATOIO

BORDEUR ANGULAIRE  
POUR PAREMENTURES  
DES PEIGNOIRS

GUIADOR A ANGULO  
RECTO PARA EL ACABADO  
DE ALBORNOCES



mm	inch	mm	inch	
80	3-3/16	25	1	XH
90	3-9/16	30	1-3/16	XH
100	3-15/16	35	1-3/8	XH
110	4-5/16	40	1-9/16	XH
120	4-3/4	45	1-3/4	XH



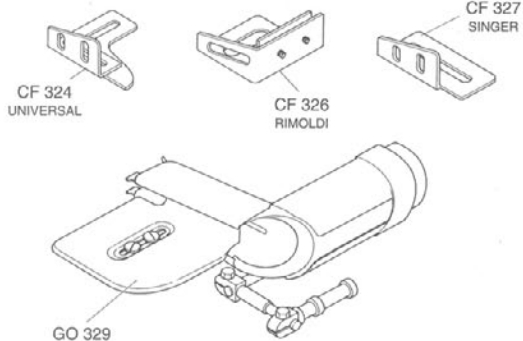
GO 329/1= GO 329+CF 324  
GO 329/2= GO 329+CF 326  
GO 329/3= GO 329+CF 327

ELBOW BINDER  
WITH ELASTIC  
INSERTION

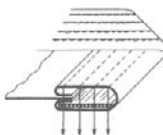
BORDATORE AD ANGOLO  
CON INSERIMENTO  
DI ELASTICO

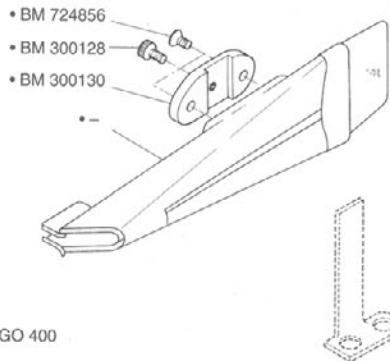

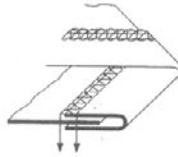
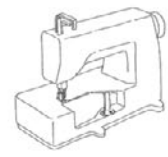
BORDEUR  
ANGULAIRE AVEC  
ELASTIQUE

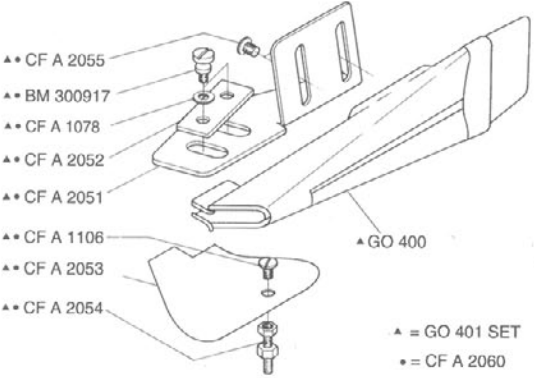

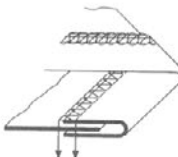
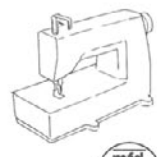
GUIADOR A  
ANGULO RECTO  
CON ELASTICO



mm	inch	mm	inch		mm	inch
80	3-1/8	28	1-1/8	L	27	1-1/16
85	3-1/8	32	1-1/4	L	31	1-1/4
90	3-9/16	34	1-11/32	L	33	1-5/16
95	3-3/4	36	1-7/16	L	35	1-3/8
105	4-1/8	43	1-11/16	L	42	1-5/8
85	3-3/8	30	1-3/16	M	29	1-1/8
90	3-3/16	33	1-5/16	M	32	1-1/4
95	3-3/4	36	1-7/16	M	35	1-3/8
105	4-1/8	43	1-11/16	M	42	1-5/8
85	3-3/8	30	1-3/16	H	29	1-1/8
90	3-9/16	33	1-5/16	H	32	1-1/4
95	3-3/4	36	1-7/16	H	35	1-3/8
105	4-1/8	43	1-11/16	H	42	1-5/8



GO 400	SPLIT-TUBE FOLDER	GUIDA PER COLLARETTI	GUIDE COLLERETTE	GUIA PARA COLLARINES																																																																																																																																												
 <ul style="list-style-type: none"> <li>• BM 724856</li> <li>• BM 300128</li> <li>• BM 300130</li> </ul> <p>• = GO 400</p>			 <table border="1"> <thead> <tr> <th></th> <th>mm</th> <th>inch</th> <th>mm</th> <th>inch</th> <th>mm</th> <th>inch</th> </tr> </thead> <tbody> <tr><td>094-A</td><td>15</td><td>19/32</td><td>7,5</td><td>19,64</td><td>1</td><td>3/64</td></tr> <tr><td>094-0</td><td>20</td><td>3/4</td><td>10</td><td>3/8</td><td>1,4</td><td>1/16</td></tr> <tr><td>094-1</td><td>25,5</td><td>1</td><td>12,5</td><td>1/2</td><td>1,5</td><td>1/16</td></tr> <tr><td>094-2</td><td>25,5</td><td>1</td><td>12,5</td><td>1/2</td><td>2</td><td>5/64</td></tr> <tr><td>094-3</td><td>32</td><td>1-1/4</td><td>16</td><td>5/8</td><td>1,5</td><td>1/16</td></tr> <tr><td>094-4</td><td>32</td><td>1-1/4</td><td>16</td><td>5/8</td><td>2</td><td>5/64</td></tr> <tr><td>094-5</td><td>38</td><td>1-1/2</td><td>19</td><td>3/4</td><td>2</td><td>5/64</td></tr> <tr><td>094-6</td><td>38</td><td>1-1/2</td><td>19</td><td>3/4</td><td>2,7</td><td>7/64</td></tr> <tr><td>094-7</td><td>44,5</td><td>1-3/4</td><td>22</td><td>7/8</td><td>2</td><td>5/64</td></tr> <tr><td>094-8</td><td>44,5</td><td>1-3/4</td><td>22</td><td>7/8</td><td>3</td><td>1/8</td></tr> <tr><td>094-9</td><td>51</td><td>2</td><td>25,5</td><td>1</td><td>2</td><td>5/64</td></tr> <tr><td>094-10</td><td>51</td><td>2</td><td>25,5</td><td>1</td><td>3,2</td><td>1/8</td></tr> <tr><td>094-11</td><td>63,5</td><td>2-1/2</td><td>32</td><td>1-1/4</td><td>2</td><td>5/64</td></tr> <tr><td>094-12</td><td>63,5</td><td>2-1/2</td><td>32</td><td>1-1/4</td><td>3,5</td><td>9/64</td></tr> <tr><td>094-12A</td><td>70</td><td>2-3/4</td><td>35</td><td>1-3/8</td><td>2</td><td>5/64</td></tr> <tr><td>094-15</td><td>80</td><td>3-1/8</td><td>39</td><td>1-9/16</td><td>2,5</td><td>3/32</td></tr> <tr><td>094-13</td><td>100</td><td>3-15/16</td><td>50</td><td>2</td><td>2,5</td><td>3/32</td></tr> <tr><td>094-14</td><td>120</td><td>4-3/4</td><td>60</td><td>2-3/8</td><td>2,5</td><td>3/32</td></tr> <tr><td>094-16</td><td>130</td><td>5-1/8</td><td>65</td><td>2-9/16</td><td>2,5</td><td>3/32</td></tr> </tbody> </table>		mm	inch	mm	inch	mm	inch	094-A	15	19/32	7,5	19,64	1	3/64	094-0	20	3/4	10	3/8	1,4	1/16	094-1	25,5	1	12,5	1/2	1,5	1/16	094-2	25,5	1	12,5	1/2	2	5/64	094-3	32	1-1/4	16	5/8	1,5	1/16	094-4	32	1-1/4	16	5/8	2	5/64	094-5	38	1-1/2	19	3/4	2	5/64	094-6	38	1-1/2	19	3/4	2,7	7/64	094-7	44,5	1-3/4	22	7/8	2	5/64	094-8	44,5	1-3/4	22	7/8	3	1/8	094-9	51	2	25,5	1	2	5/64	094-10	51	2	25,5	1	3,2	1/8	094-11	63,5	2-1/2	32	1-1/4	2	5/64	094-12	63,5	2-1/2	32	1-1/4	3,5	9/64	094-12A	70	2-3/4	35	1-3/8	2	5/64	094-15	80	3-1/8	39	1-9/16	2,5	3/32	094-13	100	3-15/16	50	2	2,5	3/32	094-14	120	4-3/4	60	2-3/8	2,5	3/32	094-16	130	5-1/8	65	2-9/16	2,5	3/32	
	mm	inch	mm	inch	mm	inch																																																																																																																																										
094-A	15	19/32	7,5	19,64	1	3/64																																																																																																																																										
094-0	20	3/4	10	3/8	1,4	1/16																																																																																																																																										
094-1	25,5	1	12,5	1/2	1,5	1/16																																																																																																																																										
094-2	25,5	1	12,5	1/2	2	5/64																																																																																																																																										
094-3	32	1-1/4	16	5/8	1,5	1/16																																																																																																																																										
094-4	32	1-1/4	16	5/8	2	5/64																																																																																																																																										
094-5	38	1-1/2	19	3/4	2	5/64																																																																																																																																										
094-6	38	1-1/2	19	3/4	2,7	7/64																																																																																																																																										
094-7	44,5	1-3/4	22	7/8	2	5/64																																																																																																																																										
094-8	44,5	1-3/4	22	7/8	3	1/8																																																																																																																																										
094-9	51	2	25,5	1	2	5/64																																																																																																																																										
094-10	51	2	25,5	1	3,2	1/8																																																																																																																																										
094-11	63,5	2-1/2	32	1-1/4	2	5/64																																																																																																																																										
094-12	63,5	2-1/2	32	1-1/4	3,5	9/64																																																																																																																																										
094-12A	70	2-3/4	35	1-3/8	2	5/64																																																																																																																																										
094-15	80	3-1/8	39	1-9/16	2,5	3/32																																																																																																																																										
094-13	100	3-15/16	50	2	2,5	3/32																																																																																																																																										
094-14	120	4-3/4	60	2-3/8	2,5	3/32																																																																																																																																										
094-16	130	5-1/8	65	2-9/16	2,5	3/32																																																																																																																																										
																																																																																																																																																

GO 401 SET	SPLIT-TUBE FOLDER TO FIT FLAT BED MACHINES	GUIDA PER COLLARETTI PER MACCHINA PIANA	GUIDE COLLERETTE POUR PIQUEUSES	GUIA PARA COLLARINES PARA MAQUINAS PLANAS																																																																																																									
 <ul style="list-style-type: none"> <li>▲▲ CF A 2055</li> <li>▲▲ BM 300917</li> <li>▲▲ CF A 1078</li> <li>▲▲ CF A 2052</li> <li>▲▲ CF A 2051</li> <li>▲▲ CF A 1106</li> <li>▲▲ CF A 2053</li> <li>▲▲ CF A 2054</li> </ul> <p>▲ = GO 401 SET • = CF A 2060</p>			 <table border="1"> <thead> <tr> <th></th> <th>mm</th> <th>inch</th> <th>mm</th> <th>inch</th> <th>mm</th> <th>inch</th> </tr> </thead> <tbody> <tr><td>094-A</td><td>15</td><td>19/32</td><td>7,5</td><td>19,64</td><td>1</td><td>3/64</td></tr> <tr><td>094-0</td><td>20</td><td>3/4</td><td>10</td><td>3/8</td><td>1,4</td><td>1/16</td></tr> <tr><td>094-1</td><td>25,5</td><td>1</td><td>12,5</td><td>1/2</td><td>1,5</td><td>1/16</td></tr> <tr><td>094-2</td><td>25,5</td><td>1</td><td>12,5</td><td>1/2</td><td>2</td><td>5/64</td></tr> <tr><td>094-3</td><td>32</td><td>1-1/4</td><td>16</td><td>5/8</td><td>1,5</td><td>1/16</td></tr> <tr><td>094-4</td><td>32</td><td>1-1/4</td><td>16</td><td>5/8</td><td>2</td><td>5/64</td></tr> <tr><td>094-5</td><td>38</td><td>1-1/2</td><td>19</td><td>3/4</td><td>2</td><td>5/64</td></tr> <tr><td>094-6</td><td>38</td><td>1-1/2</td><td>19</td><td>3/4</td><td>2,7</td><td>7/64</td></tr> <tr><td>094-7</td><td>44,5</td><td>1-3/4</td><td>22</td><td>7/8</td><td>2</td><td>5/64</td></tr> <tr><td>094-8</td><td>44,5</td><td>1-3/4</td><td>22</td><td>7/8</td><td>3</td><td>1/8</td></tr> <tr><td>094-9</td><td>51</td><td>2</td><td>25,5</td><td>1</td><td>2</td><td>5/64</td></tr> <tr><td>094-10</td><td>51</td><td>2</td><td>25,5</td><td>1</td><td>3,2</td><td>1/8</td></tr> <tr><td>094-11</td><td>63,5</td><td>2-1/2</td><td>32</td><td>1-1/4</td><td>2</td><td>5/64</td></tr> <tr><td>094-12</td><td>63,5</td><td>2-1/2</td><td>32</td><td>1-1/4</td><td>3,5</td><td>9/64</td></tr> </tbody> </table>		mm	inch	mm	inch	mm	inch	094-A	15	19/32	7,5	19,64	1	3/64	094-0	20	3/4	10	3/8	1,4	1/16	094-1	25,5	1	12,5	1/2	1,5	1/16	094-2	25,5	1	12,5	1/2	2	5/64	094-3	32	1-1/4	16	5/8	1,5	1/16	094-4	32	1-1/4	16	5/8	2	5/64	094-5	38	1-1/2	19	3/4	2	5/64	094-6	38	1-1/2	19	3/4	2,7	7/64	094-7	44,5	1-3/4	22	7/8	2	5/64	094-8	44,5	1-3/4	22	7/8	3	1/8	094-9	51	2	25,5	1	2	5/64	094-10	51	2	25,5	1	3,2	1/8	094-11	63,5	2-1/2	32	1-1/4	2	5/64	094-12	63,5	2-1/2	32	1-1/4	3,5	9/64	
	mm	inch	mm	inch	mm	inch																																																																																																							
094-A	15	19/32	7,5	19,64	1	3/64																																																																																																							
094-0	20	3/4	10	3/8	1,4	1/16																																																																																																							
094-1	25,5	1	12,5	1/2	1,5	1/16																																																																																																							
094-2	25,5	1	12,5	1/2	2	5/64																																																																																																							
094-3	32	1-1/4	16	5/8	1,5	1/16																																																																																																							
094-4	32	1-1/4	16	5/8	2	5/64																																																																																																							
094-5	38	1-1/2	19	3/4	2	5/64																																																																																																							
094-6	38	1-1/2	19	3/4	2,7	7/64																																																																																																							
094-7	44,5	1-3/4	22	7/8	2	5/64																																																																																																							
094-8	44,5	1-3/4	22	7/8	3	1/8																																																																																																							
094-9	51	2	25,5	1	2	5/64																																																																																																							
094-10	51	2	25,5	1	3,2	1/8																																																																																																							
094-11	63,5	2-1/2	32	1-1/4	2	5/64																																																																																																							
094-12	63,5	2-1/2	32	1-1/4	3,5	9/64																																																																																																							
																																																																																																													

## GO 404 SET

SPLIT-TUBE  
FOLDER TO FIT  
FLAT BED  
MACHINES

GUIDA PER  
COLLARETTI  
PER MACCHINA  
PIANA

GUIDE  
COLLERETTE  
POUR PIQUEUSES

GUIA PARA  
COLLARINES  
PARA MAQUINAS  
PLANAS

•• CF A 2055

•• BM 300917

•• CF A 1078

•• CF A 2052

•• CF A 2051

•• CF A 1106

•• CF A 2053

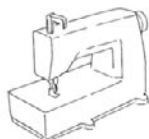
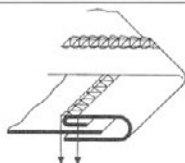
•• CF A 2054

▲ GO 406

▲ = GO 404 SET

• = CF A 2060

	mm	inch	mm	inch	mm	inch
095B-1	33	1-5/16	12,5	1/2	1,7	1/16
095B-2	33	1-5/16	12,5	1/2	2,7	7/64
095B-3	40	1-9/16	16	5/8	1,7	1/16
095B-4	40	1-9/16	16	5/8	2,7	7/64
095B-5	47	1-7/8	19	3/4	2	5/64
095B-6	47	1-7/8	19	3/4	3	1/8
095B-7	53	2-3/32	22	7/8	2	5/64
095B-8	53	2-3/32	22	7/8	3	1/8
095B-9	59	2-5/16	25	1	2	5/64
095B-10	59	2-5/16	25	1	3,2	1/8



## GO 405

SPLIT-TUBE  
FOLDER

GUIDA PER  
COLLARETTI

GUIDE  
COLLERETTE

GUIA PARA  
COLLARINES

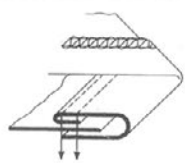
• BM 724856

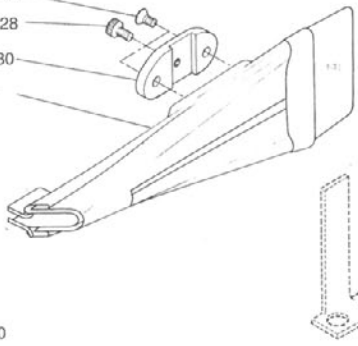
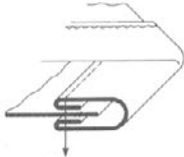




• BM 300128

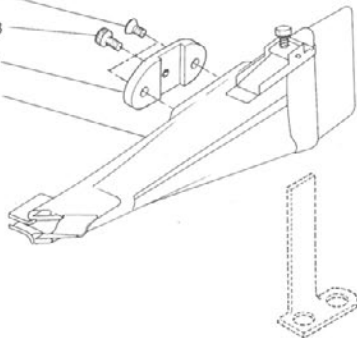
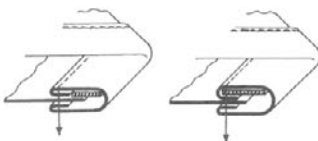


• BM 300130

• = GO 405

	mm	inch	mm	inch	mm	inch
095-A	22	7/8	8	5/16	1,5	1/16
095-0	27	1-1/16	10	3/8	1,3	3/64
095-1	32	1-1/4	12	1/2	1,7	1/16
095-2	32	1-1/4	12	1/2	2,7	7/64
095-3	38	1-1/2	16	5/8	1,7	1/16
095-4	38	1-1/2	16	5/8	2,7	7/64
095-5	45	1-3/4	19	3/4	2	5/64
095-6	45	1-3/4	19	3/4	3	1/8
095-7	51	2	21	13/16	2	5/64
095-8	51	2	21	13/16	3	1/8
095-9	57	2-1/4	25	1	2	5/64
095-10	57	2-1/4	25	1	3,2	1/8
095-11	72	2-13/16	32	1-1/4	2	5/64
095-12	70	2-3/4	32	1-1/4	3,5	9/64
095-13	80	3-1/8	37	1-7/16	2	5/64
095-14	80	3-1/8	37	1-7/16	3,7	9/64
095-15	100	3-15/16	47	1-7/8	3	1/8
095-16	120	4-3/4	57	2-1/4	3	1/8
095-17	130	5-1/8	62	2-7/16	3	1/8



GO 410	SPLIT-TUBE FOLDER	GUIDA PER COLLARETTI	GUIDE COLLERETTE	GUIDA PARA COLLARINES																																																																																																																																																																	
<ul style="list-style-type: none"> <li>• BM 724856</li> <li>• BM 300128</li> <li>• BM 300130</li> </ul>  <p>• = G 0410</p>			 <table border="1" data-bbox="650 250 743 666"> <thead> <tr> <th></th> <th>mm</th> <th>inch</th> <th>mm</th> <th>inch</th> <th>mm</th> <th>inch</th> </tr> </thead> <tbody> <tr><td>098A-2L</td><td>22</td><td>7/8</td><td>5,5</td><td>7/32</td><td>1</td><td>3/64</td></tr> <tr><td>098A-2H</td><td>22</td><td>7/8</td><td>5,5</td><td>7/32</td><td>2</td><td>5/64</td></tr> <tr><td>098A-3L</td><td>28</td><td>1-1/8</td><td>7</td><td>9/32</td><td>1</td><td>3/64</td></tr> <tr><td>098A-3H</td><td>28</td><td>1-1/8</td><td>7</td><td>9/32</td><td>2</td><td>5/64</td></tr> <tr><td>098A-4H</td><td>25</td><td>1</td><td>6</td><td>1/4</td><td>2</td><td>5/64</td></tr> <tr><td>098-0</td><td>32</td><td>1-1/4</td><td>8</td><td>5/16</td><td>1,5</td><td>1/16</td></tr> <tr><td>098A-0</td><td>35</td><td>1-3/8</td><td>10</td><td>3/8</td><td>2</td><td>5/64</td></tr> <tr><td>098-1</td><td>38</td><td>1-1/2</td><td>12</td><td>1/2</td><td>2</td><td>5/64</td></tr> <tr><td>098-2</td><td>42</td><td>1-11/16</td><td>14</td><td>9/16</td><td>2</td><td>5/64</td></tr> <tr><td>098-3</td><td>46</td><td>1-13/16</td><td>16</td><td>5/8</td><td>2</td><td>5/64</td></tr> <tr><td>098-4</td><td>56</td><td>2-3/16</td><td>21</td><td>13/16</td><td>2,5</td><td>3/32</td></tr> <tr><td>098-5</td><td>65</td><td>2-9/16</td><td>25</td><td>1</td><td>2</td><td>5/64</td></tr> <tr><td>098-6</td><td>66</td><td>2-5/8</td><td>26</td><td>1-1/32</td><td>3,5</td><td>9/64</td></tr> <tr><td>098-7</td><td>78</td><td>3-1/16</td><td>29</td><td>1-3/16</td><td>2</td><td>5/64</td></tr> <tr><td>098-8</td><td>78</td><td>3-1/16</td><td>32</td><td>1-1/4</td><td>1,4</td><td>1/16</td></tr> <tr><td>098-10</td><td>86</td><td>3-3/8</td><td>35</td><td>1-3/8</td><td>1,5</td><td>1/16</td></tr> <tr><td>098-11</td><td>92</td><td>3-5/8</td><td>38</td><td>1-1/2</td><td>1,2</td><td>3/64</td></tr> <tr><td>098-12</td><td>96</td><td>3-3/4</td><td>40</td><td>1-9/16</td><td>2,5</td><td>3/32</td></tr> <tr><td>098-13</td><td>96</td><td>3-3/4</td><td>40</td><td>1-9/16</td><td>3,5</td><td>9/64</td></tr> <tr><td>098-14</td><td>100</td><td>3-15/16</td><td>42</td><td>1-11/16</td><td>1,5</td><td>1/16</td></tr> <tr><td>098-15</td><td>130</td><td>5-1/8</td><td>57</td><td>2-1/4</td><td>2,5</td><td>3/32</td></tr> <tr><td>098-16</td><td>130</td><td>5-1/8</td><td>57</td><td>2-1/4</td><td>3,5</td><td>9/64</td></tr> </tbody> </table>		mm	inch	mm	inch	mm	inch	098A-2L	22	7/8	5,5	7/32	1	3/64	098A-2H	22	7/8	5,5	7/32	2	5/64	098A-3L	28	1-1/8	7	9/32	1	3/64	098A-3H	28	1-1/8	7	9/32	2	5/64	098A-4H	25	1	6	1/4	2	5/64	098-0	32	1-1/4	8	5/16	1,5	1/16	098A-0	35	1-3/8	10	3/8	2	5/64	098-1	38	1-1/2	12	1/2	2	5/64	098-2	42	1-11/16	14	9/16	2	5/64	098-3	46	1-13/16	16	5/8	2	5/64	098-4	56	2-3/16	21	13/16	2,5	3/32	098-5	65	2-9/16	25	1	2	5/64	098-6	66	2-5/8	26	1-1/32	3,5	9/64	098-7	78	3-1/16	29	1-3/16	2	5/64	098-8	78	3-1/16	32	1-1/4	1,4	1/16	098-10	86	3-3/8	35	1-3/8	1,5	1/16	098-11	92	3-5/8	38	1-1/2	1,2	3/64	098-12	96	3-3/4	40	1-9/16	2,5	3/32	098-13	96	3-3/4	40	1-9/16	3,5	9/64	098-14	100	3-15/16	42	1-11/16	1,5	1/16	098-15	130	5-1/8	57	2-1/4	2,5	3/32	098-16	130	5-1/8	57	2-1/4	3,5	9/64	 
	mm	inch	mm	inch	mm	inch																																																																																																																																																															
098A-2L	22	7/8	5,5	7/32	1	3/64																																																																																																																																																															
098A-2H	22	7/8	5,5	7/32	2	5/64																																																																																																																																																															
098A-3L	28	1-1/8	7	9/32	1	3/64																																																																																																																																																															
098A-3H	28	1-1/8	7	9/32	2	5/64																																																																																																																																																															
098A-4H	25	1	6	1/4	2	5/64																																																																																																																																																															
098-0	32	1-1/4	8	5/16	1,5	1/16																																																																																																																																																															
098A-0	35	1-3/8	10	3/8	2	5/64																																																																																																																																																															
098-1	38	1-1/2	12	1/2	2	5/64																																																																																																																																																															
098-2	42	1-11/16	14	9/16	2	5/64																																																																																																																																																															
098-3	46	1-13/16	16	5/8	2	5/64																																																																																																																																																															
098-4	56	2-3/16	21	13/16	2,5	3/32																																																																																																																																																															
098-5	65	2-9/16	25	1	2	5/64																																																																																																																																																															
098-6	66	2-5/8	26	1-1/32	3,5	9/64																																																																																																																																																															
098-7	78	3-1/16	29	1-3/16	2	5/64																																																																																																																																																															
098-8	78	3-1/16	32	1-1/4	1,4	1/16																																																																																																																																																															
098-10	86	3-3/8	35	1-3/8	1,5	1/16																																																																																																																																																															
098-11	92	3-5/8	38	1-1/2	1,2	3/64																																																																																																																																																															
098-12	96	3-3/4	40	1-9/16	2,5	3/32																																																																																																																																																															
098-13	96	3-3/4	40	1-9/16	3,5	9/64																																																																																																																																																															
098-14	100	3-15/16	42	1-11/16	1,5	1/16																																																																																																																																																															
098-15	130	5-1/8	57	2-1/4	2,5	3/32																																																																																																																																																															
098-16	130	5-1/8	57	2-1/4	3,5	9/64																																																																																																																																																															

GO 412	SPLIT-TUBE FOLDER WITH ELASTIC	GUIDA PER COLLARETTI CON ELASTICO	GUIDE COLLERETTE AVEC ELASTIQUE	GUIDA PARA COLLARINES CON ELASTICO																
<ul style="list-style-type: none"> <li>• BM 724856</li> <li>• BM 300128</li> <li>• BM 300130</li> </ul>  <p>• = G 0412</p>			 <table border="1" data-bbox="656 980 749 1136"> <thead> <tr> <th>mm</th> <th>mm</th> </tr> </thead> <tbody> <tr><td>21</td><td>4</td></tr> <tr><td>28</td><td>6</td></tr> <tr><td>32</td><td>8</td></tr> <tr><td>35</td><td>10</td></tr> <tr><td>42</td><td>12</td></tr> <tr><td>45</td><td>14</td></tr> <tr><td>50</td><td>16</td></tr> </tbody> </table>	mm	mm	21	4	28	6	32	8	35	10	42	12	45	14	50	16	
mm	mm																			
21	4																			
28	6																			
32	8																			
35	10																			
42	12																			
45	14																			
50	16																			
			<p>MANUFACTURED ON REQUEST COSTRUITO SU RICHIESTA FABRIQUE SUR COMMANDE SE CONSTRUYE SOBRE DEMANDA</p>																	