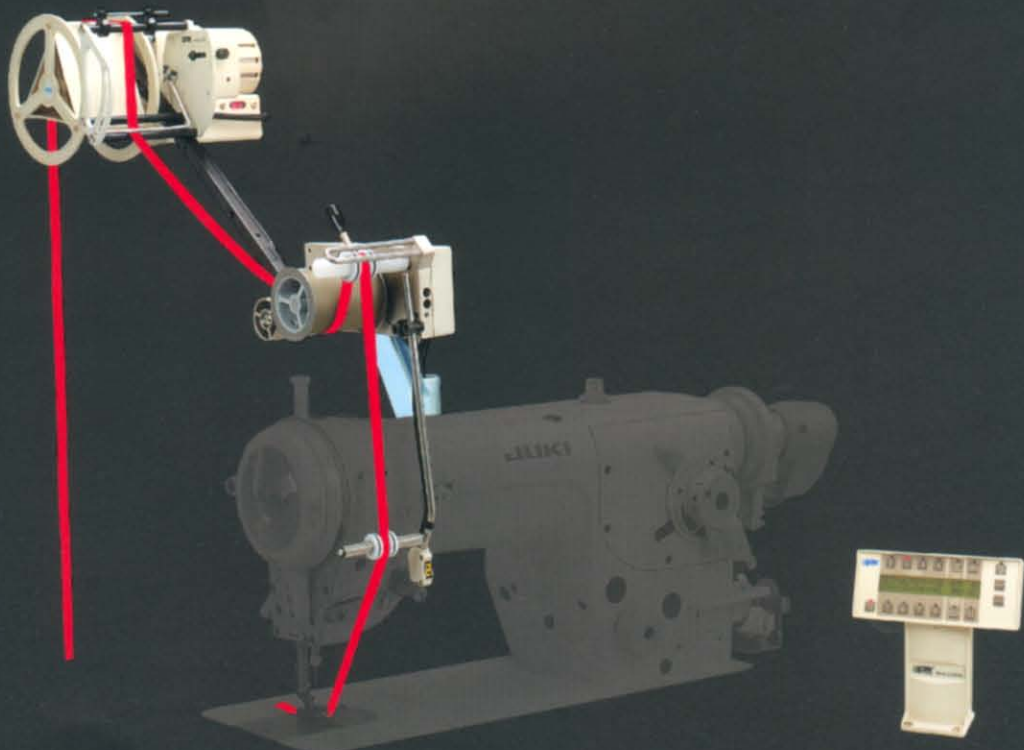


we sell quality

RACING



Can Be Attached On Every Brand and Model

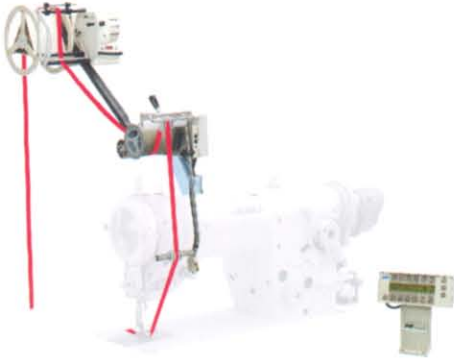
RACING ATTACHMENT GENERAL CATALOGUE

MC M8系列

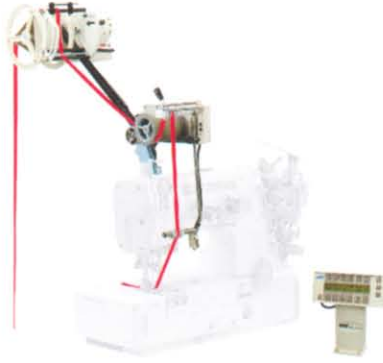
微電腦全方位送帶機(主機與控制盒分離型)
Versatility Tension type computerized metering device
(The main unit is separate from the control box and display panel)

MC M8U 上送 UPPER FEED

例一：MC M8U-Z(人字車)
EXAMPLE 1：MC M8U-Z(ZIG-ZAG)



例二：MC M8U-C(飾縫車)
EXAMPLE 2：MC M8U-C(COVERSTITCH)

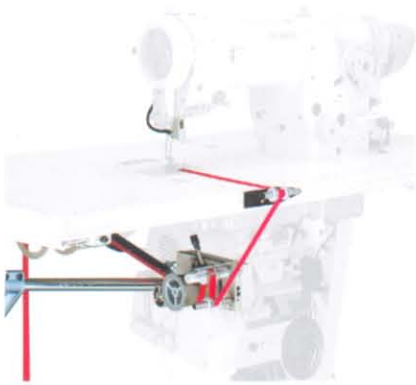


例三：MC M8U-K(包縫車)
EXAMPLE 3：MC M8U-K(OVERLOCK)

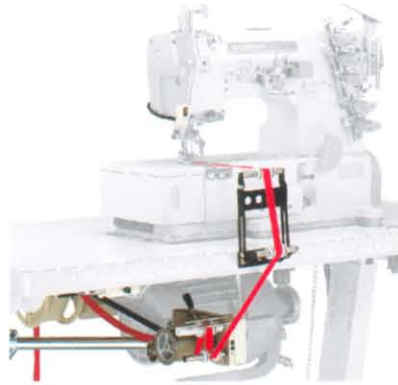


MC M8B 下送 BOTTOM FEED

例一：MC M8B-Z(人字車)
EXAMPLE 1：MC M8B-Z(ZIG-ZAG)



例二：MC M8B-C(飾縫車)
EXAMPLE 2：MC M8B-C(COVERSTITCH)



例二：MC M8B-K(包縫車)
EXAMPLE 2：MC M8B-K(OVERLOCK)



MC M8S 側送 SIDE FEED

例一：MC M8S-Z(人字車)
EXAMPLE 1：MC M8S-Z(ZIG-ZAG)



例三：MC M8S-K(包縫車)
EXAMPLE 3：MC M8S-K(OVERLOCK)



例二：MC M8S-C(飾縫車)
EXAMPLE 2：MC M8S-C(COVERSTITCH)



例四：MC M8S-C(後送)
EXAMPLE 4：MC M8S-C(REAR FEED)



MC E8U 系列 上送專用，微電腦全方位送帶機(主機與控制盒合併型，安裝簡便)。

Tension type computerized metering device for upper feed only.
(The main unit, control box and panel are all together in one unit)

MC E8U 上送 UPPER FEED

例一：MC E8U-Z(人字車)
EXAMPLE 1：MC E8U-Z(ZIG-ZAG)



例二：MC E8U-C(飾縫車)
EXAMPLE 2：MC E8U-C(COVERSTITCH)



例三：MC E8U-K(包縫車)
EXAMPLE 3：MC E8U-K(OVERLOCK)



配件說明

Description of accessory for MC series

- 安裝於皮帶輪端的計數器，計算車縫的針數自動換段(選擇配件)。
- Fits on the machines hand wheel to control automatic section changes (Optional Parts).

- LED + 手動換段(選擇配件)：體積小，操作簡便。
- LED and manual section change (Optional Parts) : This tiny display shows the current section being sewn and includes a switch for manual section changes.

- 膝動換段開關(標準配件)：工程換段用。
- Knee Switch (Standard) : For manual section changes.

- 無張力開關(人字車用)
- Free Tape Function Switch (For zig-zag machine only).

- 懸吊無張力開關(飾縫車、包縫車用)
- Suspended switch for free tape function (For coverstitch and overlock machines only).

- 踏板開關：壓腳自動提昇車專用(AK裝置)
- Pedal Switch : For free tape function. Only for with Auto Lifter (AK Device)

訂貨說明

Order guide

MC M8 U - Z / SY

1 2 3 4

- 1 ● 微電腦多功能鬆緊帶控制裝置機型代號：
● Model for Multi-Function Computerized Elastic Metering Device :

MC M8系列：微電腦全方位送帶機(主機與控制盒分離型)
MC M8 SERIES : Tension type computerized metering device for upper, bottom, side or rear feeds.
(The main unit are separate from the control box and display panel)

MC E8U系列：微電腦上送型(主組機與控制面板合併型，安裝簡便)
MC E8U SERIES : Tension type computerized metering device for upper feeding only.
(The main unit, control box and panel are all together in one unit)

- 2 ● 分類：
● Sewing Machine Type:

U：上送
U : Upper Feeding
B：下送
B : Bottom Feeding
S：側送
S : Side Feeding

- 3 ● 車種：
● Machine Typel :

Z：人字車
Z : Zig-Zag
K：包縫車
K : Overlock
C：飾縫車
C : Coverstitch

- 4 ● 配件：
● Accessory:

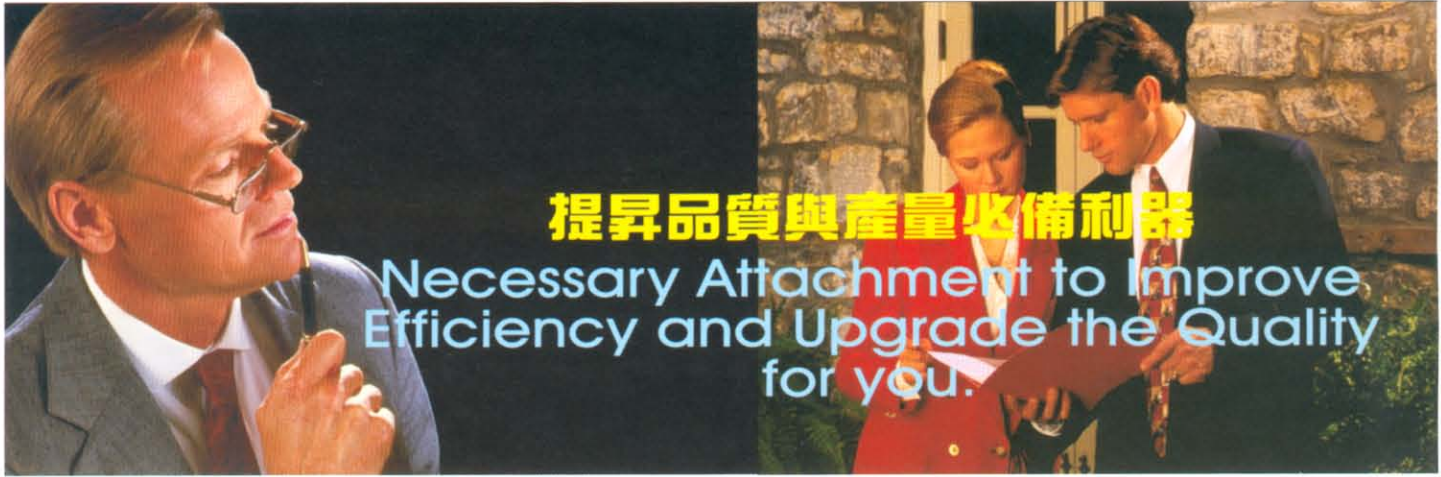
SY：安裝於皮帶輪端的計數器(選擇配件)
SY : The Synchronizer Adapting on the Belt Pulley (Optional Parts)

規格表

Specifications

| | |
|---|---|
| 基座固定方式 Base Mounted place | 車板 Table |
| 工程設定 Program Set | 8段 8 Section |
| 記憶 Memory | 26組 26 Mode |
| 每針送帶量 Feed Range | 0.4~4.0mm |
| 最高速度 MAX. Speed | 可配合各種縫紉機轉速 Unlimited |
| SY計數器 SY Stitch Counter | 選擇配件 Optional |
| 膝動開關 Knee Switch for Manual Section Change | ○ |
| 手動換段 Section Change by Finger | 選擇配件 Optional |
| LED 換段指示燈 LED Indicate Lamp | ○ |
| 無張力送帶 Free Tension | ○ |
| 送帶寬度最寬 MAX. Feeding width | 64mm(2 1/2" inch) |
| 電源 Power | AC 100~240V自動切換 AC 100~240V AUTO SWITCHING |

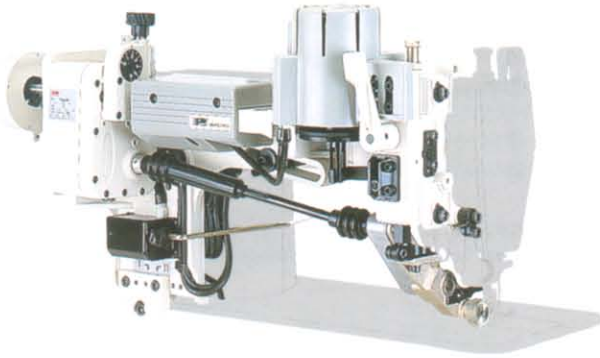
※MC M8, MC E8 系列產品說明
※MC M8, MC E8 SERIES-PRODUCT SPEC.



提昇品質與產量必備利器

Necessary Attachment to Improve Efficiency and Upgrade the Quality for you.

PS 小輪、單針、雙針車用(標準型)
FOR SINGLE OR TWIN NEEDLE(REGULAR) SMALL ROLLER

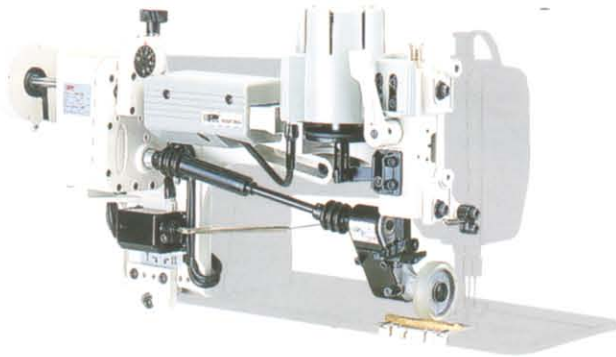


- 拖輪不用時可以提升
- Disengage roller if not needed



- 獨特設計，拖輪與車針距離超近，適合薄物，短距離及彎弧縫製。
- Extremely close pulling facilitates curve and short sewing on thin materials.

PL 單針、雙針車用(標準型)
FOR SINGLE OR TWIN NEEDLE(REGULAR)

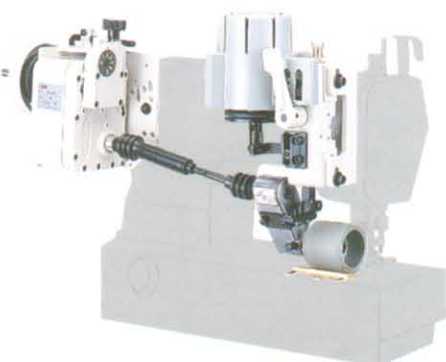


- 寬廣的操作空間
- With Large Space for Operation

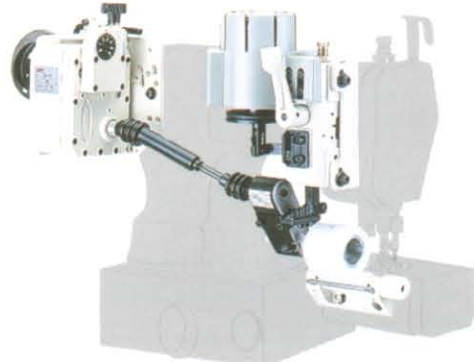


- 具有多種選擇性拖輪，能適應不同質料之車縫。
- With various optional rollers for different kinds of sewn materials.

PL-S1 飾縫車用
FOR FLAT BED COVERSTITCH



PL-S2 筒型飾縫車用
FOR CYLINDER BED COVERSTITCH

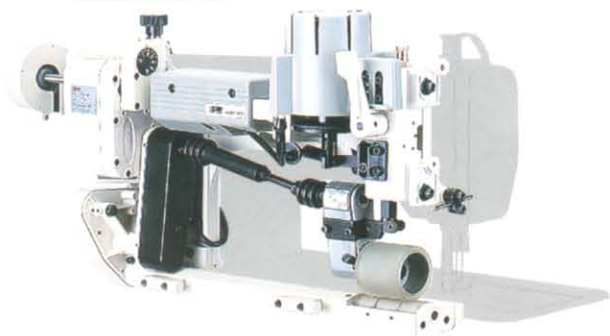


拖輪系列產品

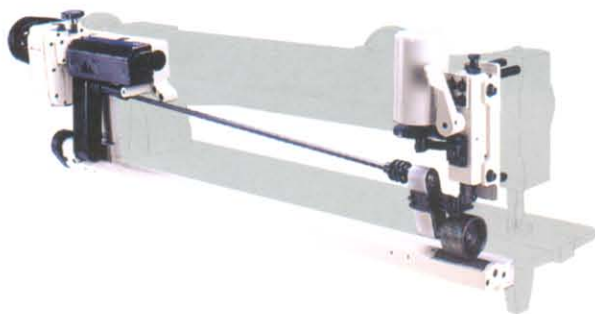
PULLER ATTACHMENT

PT 單針、雙針車用・上下輪驅動(標準型)
FOR SINGLE OR TWIN NEEDLE WITH UPPER AND LOWER ROLLER(REGULAR)

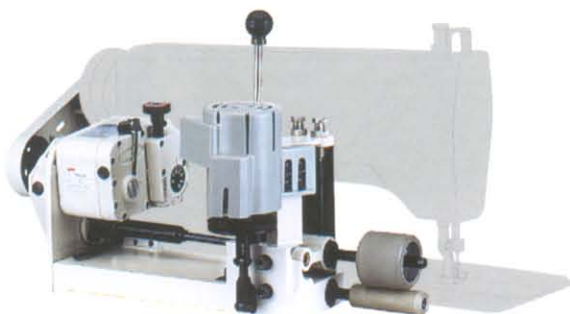
PT-H 單針、雙針車用・上下輪驅動(厚物型)(變速機P-1)
FOR SINGLE OR TWIN NEEDLE WITH UPPER AND LOWER ROLLER(HEAVY DUTY)
(Transmission P-1)



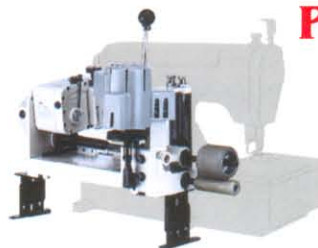
PT-L 長臂型・接受訂貨生產
FOR LONG ARM, AVAILABLE FOR CUSTOM-MADE



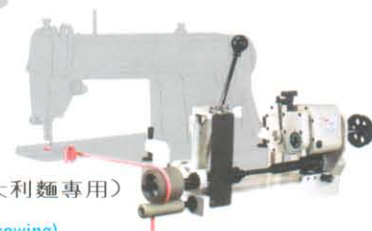
PY 單針、雙針車用・上下輪驅動
FOR SINGLE OR TWIN NEEDLE WITH UPPER AND LOWER ROLLER



PY-C 飾縫車用
FOR COVERSTITCH

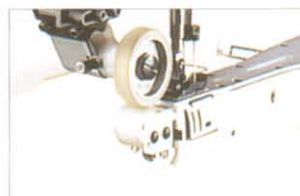
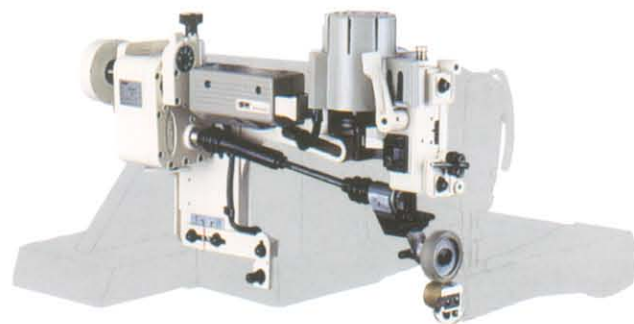


PY-SP 前拉式(意大利麵專用)
FRONT PULLER
(For spaghetti sewing)



PF 腕型車用(標準型)
FOR FEED-OFF-ARM (REGULAR)

PF-H 腕型車用(厚物型)(變速機P-1)
FOR FEED-OFF-ARM(HEAVY DUTY)(Transmission P-1)

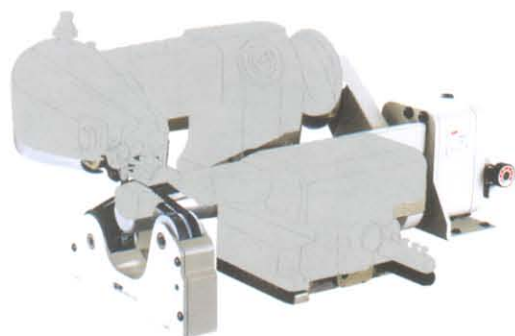


● 附下輪
● With lower roller

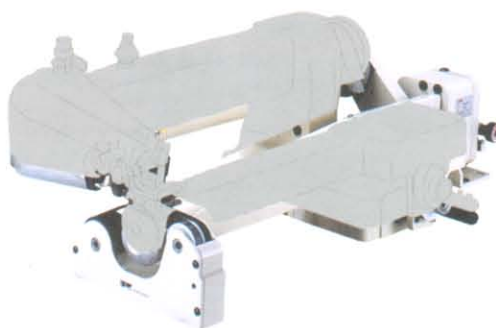
● 具有多種選擇性拖輪，能適應不同質料之車縫。

● With various optional rollers for different kinds of sewn materials.

PW 手臂可動型盲縫車用(適用於潛水衣布料)
FOR BLINDSTITCH MACHINE WITH MOVEABLE ARM
(Suitable for diving-suit material)

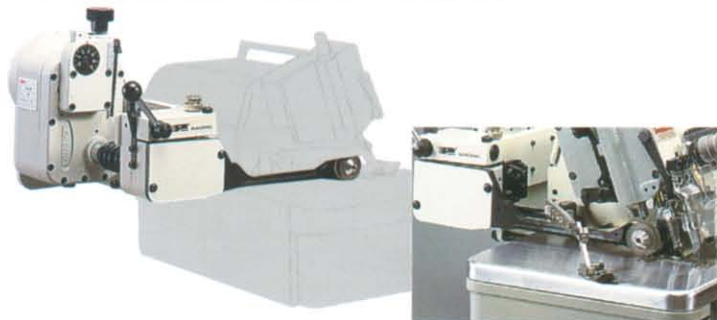


PW-L 手臂可動長臂型盲縫車用(適用於潛水衣布料)
FOR LONG ARM BLINDSTITCH MACHINE WITH MOVEABLE ARM
(Suitable for diving-suit material)



拖輪系列產品 PULLER ATTACHMENT

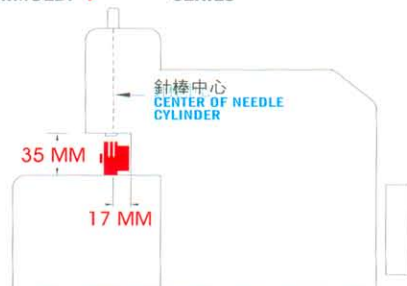
PG 包縫車用・小輪(薄物用) FOR OVERLOCK WITH SMALL ROLLER(FOR thin material)



【本拖輪不能裝在附有水平或垂直式自動切線裝置的包縫車上
This puller is unable to install onto overlock machine with either vertical or horizontal automatic thread-chain cutter.】

PG 系列所需要的基本空間 Space Limitation For PG Series

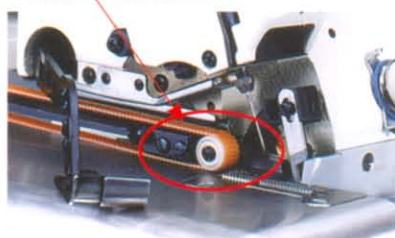
- 例：
- Example :
- JUKI MO 3000 SERIES
- PEGASUS EX SERIES
- BROTHER N,V SERIES
- YAMATO AZ 8000 SERIES
- RIMOLDI F SERIES



PR 包縫車用・皮帶後送(薄物用) FOR OVERLOCK WITH REAR DRIVE BELT(FOR thin material)



- 不受空間限制，各種廠牌機型均可安裝。
- Suitable for every machine without space limitation.



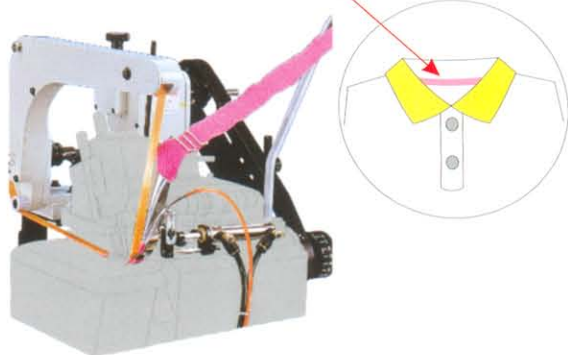
- 獨特設計，皮帶與車針距離超近。
- 適用於柔軟光滑、易皺之薄物。
- Close proximity of rear drive belt and needle improves sewing performance.
- Suitable for silky and easy-pucker thin materials.

PO 包縫車用・上皮帶送 FOR OVERLOCK WITH TOP DRIVE BELT

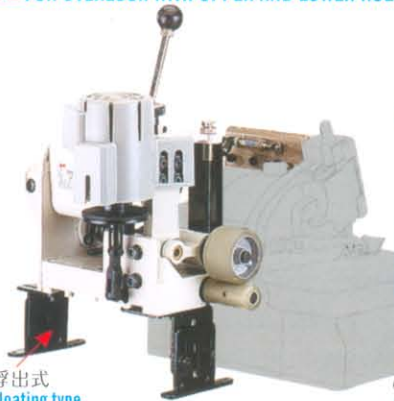


- 上皮帶驅動，適用於各種編織毛領、多層堅澀及易滑之布料。
- Simple installation with top drive belt. Suitable for different knitting collars, multi-layer tough abrasive and silky materials.

PO-F 包縫車用(有領T恤專用)附氣動式包邊器 FOR OVERLOCK (FOR SEWING THE COLLAR OF KNIT SHIRT) WITH AIR TYPE FOLDER.



PK 包縫車用・上下輪驅動 FOR OVERLOCK WITH UPPER AND LOWER ROLLER



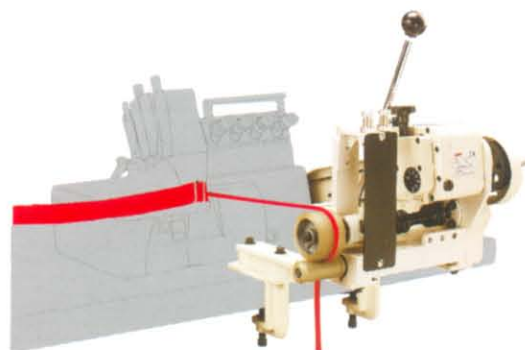
- 適用於薄到極厚物直線縫製。
- Suitable for thin to extremely thick materials in straight sewing.



- 浮出式
- Floating type

- 下沉式
- Submerged type

PK-SP 前拉式(意大利麵專用) FRONT PULLER (FOR SPAGHETTI SEWING)

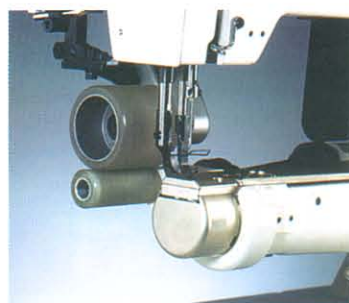
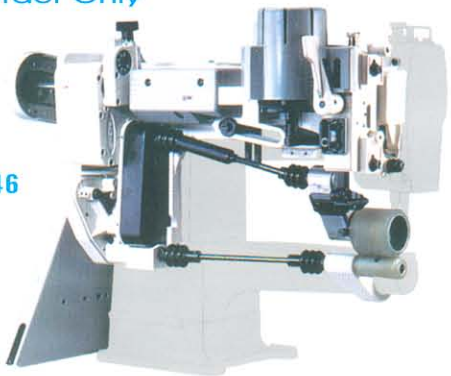


拖輪系列產品 PULLER ATTACHMENT

特殊機型 · 訂貨生產
Special Order Only

範例
EXAMPLE

JUKI DSC-246



拖輪系列配件說明

Description of accessory for Puller Series

●PW、PR、PG、PO 不附此裝置電控提昇組
●The roller Lifter is not included for PW, PR, PG, PO.

拉布輪提昇組：當縫紉機壓布腳提昇或自動、手動回針時，拉布輪會同時提昇。
(附有二組輸入接點，可接收自動或觸動回針及壓布腳自動提升電磁鐵信號。)

Roller Lifter : The Roller Will be Lifted at the same time as the Presser Foot is lifted by Auto, Manual or Reverse Sewing.
(With two Plug sets which can connect with all Manual and Auto-Reverse system.)

●允許此配件不在購買範圍，不需此配件時請在訂單上註明『不需拉布輪自動提昇組』，可節省採購成本。
●It allows you 『Not Buying the Roll Lifter』, in order to save your cost. Please indicate us on the order, if you do not need the Roller Lifter.

電動提昇組：
(標準配件)

Solenoid Roller Lifter :
(Regular Parts)

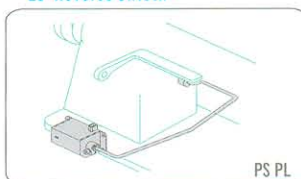


氣動提昇組：
(選擇配件)

Pneumatic Roller Lifter :
(Optional Parts)

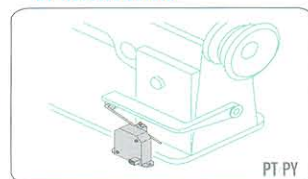


E3 回針開關
E3 Reverse Switch



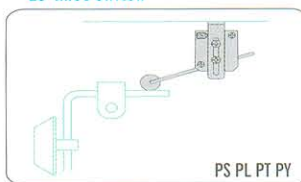
PS PL

E4 回針開關
E4 Reverse Switch



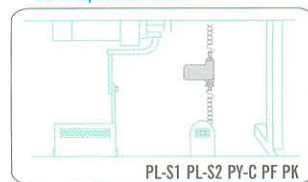
PT PY

E5 膝動開關
E5 Knee Switch



PS PL PT PY

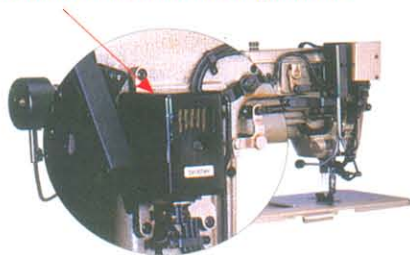
E6 懸吊開關
E6 Suspension Switch



PL-S1 PL-S2 PY-C PF PK

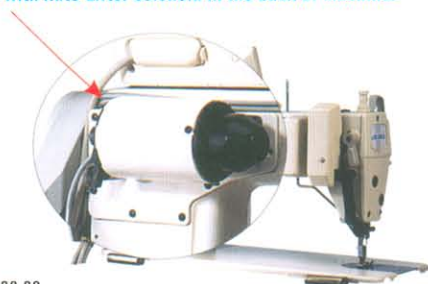
B座：適用於針車背部有回針電磁鐵
B Base : For With Reverse Solenoid in the back of Sewing Machine.

PS-B.PL-B.PT-B

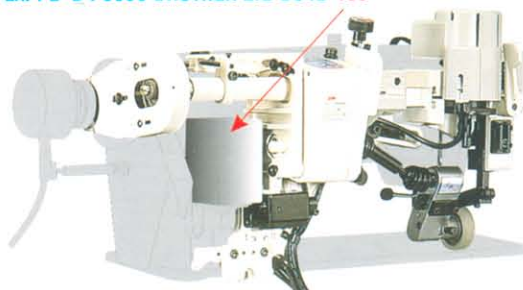


AK移位組：適用於針車背部有壓布腳電動提升電磁鐵
AK Relocation Set : For With Auto-Lifter Solenoid in the back of Machine.

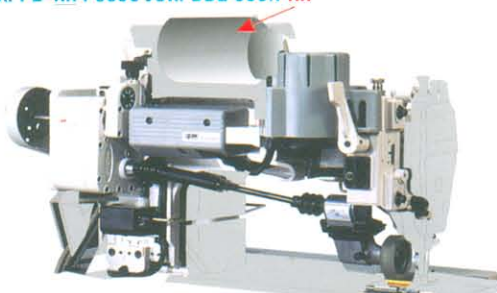
JUKI AK-34 35 84 85 88 89



例、
EX. PL- B P5535 BROTHER LT2-B842-403



例、
EX. PL- AK P5535 JUKI DDL-555N-AK

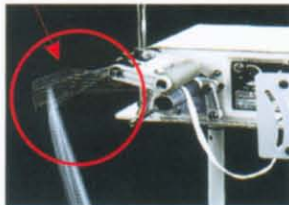


車縫輔助裝置系列 SUPPLEMENTARY DEVICE

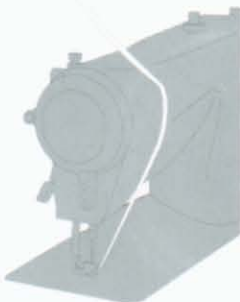
TFU 15-3 上送型送料機 · 送料寬度 70mm
Upper Tape Feeder, Feed Width 70mm

TFU 15-8 上送型送料機 · 送料寬度 200mm
Upper Tape Feeder, Feed Width 200mm

機械式防止打結裝置(標準配備)
Mechanical Untangling Device (Regular parts)

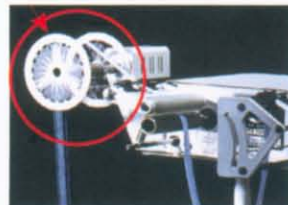


- 能將箱內之鬆緊帶、橡皮帶、加予抖動，以避免糾纏打結。
- To untangle the twisted elastic Tape or cord from the box.



TFU 15-3 / UT-2 上送型送料機 [附電動型防止打結裝置] · 送料寬度70mm
Upper Tape Feeder (with untangling motor device). Feed Width 70mm

UT-2 電動型防止打結裝置：TFU 15-3專用
Untangling motor Device : TFU 15-3 Only.



- 旋轉式能更有效防止鬆緊帶打結及糾纏。
- To By the Rotational motion, effectively to untangle the twisted or gathered elastic tape.



TFS 25-3 側送型送料機 · 送料寬度 70mm
Side Tape Feeder, Feed Width 70mm

TFS 25-8 側送型送料機 · 送料寬度 200mm
Side Tape Feeder, Feed Width 200mm

RTP 氣動型滾輪擴張裝置
Pneumatic Roller Tension Device



RTF 固定型滾輪擴張裝置
Fixed Roller Tension Device



K-1 模版製作機
Pattern Cutting Machine



| | |
|--------------|--|
| 領子 COLLAR | |
| 領子 COLLAR | |
| 袖口 CUFF | |

專用配件
Special Accessory

針板
Needle Plate



送齒
Feed Dog



押腳
Presser Foot



微電腦全方位多功能送帶裝置特性說明

TENSION TYPE COMPUTERIZED VERSATILE METERING DEVICE FEATURE DESCRIPTION

- 泛用型各種廠牌機型均可安裝。
- Universal mount can easily be set-up on any machine.
- 26組模式記憶，每組有八段可供選擇不同鬆緊度。
- Up to 26 modes memory, Each Mode with Up to 8 separate sections are available pre program.
- 微電腦控制送帶精確度高。
- Computer controlled for the ultimate in precision.
- 適用於泳裝韻裝、內衣褲...等，各種高級產品均可輕易完成。
- Ideal for attaching elastic to necks, leg openings of swimsuits or women's panties, leotards, underwear, briefs and sportswear.

● 抖帶裝置： ● Unfangling Device：

旋轉式抖帶更能有效力防止鬆緊帶糾纏打結。
This powerful motor will effectively eliminate any twisted elastic or tape before entering the metering device.

● 蜂鳴裝置(上，下送型用)： ● Alarm Device (For upper or bottom feed only)：

當鬆緊帶糾纏打結未能解開時，會警報告知排除，以避免影響車縫尺寸。
The buzzer will buzz if the elastic or tape gets too tight. This will eliminate mistakes caused by the material being tacked to the end of the roll or any other similar occurrence.

● 主機： ● Main Unit：

精心設計，送帶精確，輕薄短小，不佔空間，上下前後送可全方位使用。
This perfect design is compact and make precise tension control a breeze. The compact design does not infringe on valuable operator space. It can be mounted in any convenient location on the table.

● 連結支架： ● Tilting Mount：

活動式連結，高低前後，左右任何角度及機型均可輕易組裝。
This head allows for the tensioning device to be mounted at any angle.

● LED顯示： ● LED Display：

人性化設計符合使用者需求，可清晰了解目前使用段數。
This user-friendly design means easy set-up and programming.

● 基座： ● Clamping Base：

夾式基座，不使用螺絲固定，上下前後送各種位置均可快速固定。
No screws are needed to secure the base. It can be mounted in any convenient location on the table.

● 面板： ● Panel：

1. 操作簡易，使初學者也能快速了解使用。
2. 功能超強，送帶精度高，各種高級產品均可輕易完成。
1. This time saving unit allows the beginner or experienced user to make programs fast.
2. This powerful software provides precise tension control and highly accurate measurements to satisfy the most difficult jobs easily.

