

Sprayway®

Sewing & Embroidery

Worldwide Aerosol Product Line

- Cost Efficient
- Easy to Use
- High Quality
- Ozone Safe



• These Products Meet All USA Aerosol Manufacturer's Requirements

- Sold In Over 40 Countries



No. 830 Spot Lifter (Industrial Formula)

For any operation that deals with cloth fabrics. Removes tar, fresh paint, grease and oil stains. Safe and effective on wool, cotton, silk and synthetic materials. Guaranteed to leave neither stains or rings. Industrial strength formula.



No. 831 Spot Lifter (Fast Powder)

Specially designed as a fast dry powder system. Easily lifts a variety of spots and stains without leaving a ring. Formulated to be used on many popular fabrics, such as wool, cotton, silk and synthetic materials. Fresh scent fragrance. Safe for delicate fabric materials.



No. 833 Spot Lifter (Non-Chlorinated Formula)

Formulated without chlorinated solvents to meet today's factory standards and fabric requirements. Guaranteed to leave no stains or rings. Removes grease and oil stains safely from wool, cotton, silk, corduroy, dacron, nylon, orlon, and other synthetic materials. Will remove grass stains and most food spots, too.

Sewing • Embroider



020 Foaming Hand Cleaner

- Instantly remove dirt, grease, oil, grime without water very effectively.
- Easy to use, time saving and contains skin-conditioning lanolin.
- Specially formulated for use in sewing repair and maintenance department.



031 Crazy Clean All Purpose Cleaner

- Clinging foam type cleaner helps clean spots easily.
- Super cleaner for all surfaces without any harm.
- Removes hand-prints, dirt stains, crayon marks, soot spots and smoke film.
- Eliminates dirt stains which will mix with oil usually found on the fabrics.
- Good for use on walls, office equipment, machine heads, cutting and working tables.



040 Formula 40 Glass Cleaner

- Clinging foam glass cleaner with special anti-static formulation.
- Removes smoke film, fingerprints and dirt from glass and mirror surfaces.
- Contains no ammonia.
- Best for use on computer-screens and CAD-CAM systems.



063 C-60 Solvent Cleaner & Degreaser

- Removes oil and grease stains, ink and fresh paints easily.
- Non-flammable; safe to use while running machines without disrupting production.
- Very effective for cleaning oil and greasy parts while servicing and repairing sewing equipment.



066 Premium Mist Spray Adhesive

- A non-wrinkling, water-resistant and re-positioning adhesive.
- Use for both temporary and permanent bonds.
- Excellent for pattern grading, quick layout and paste-up in both the designing and cutting rooms.
- Also can be used for embroidery appliqué work.



077 Wet Silicone Lubricant

- An economical lubricant for many industrial trades.
- Stops squeaks, prevents corrosion and reduces friction.
- Can be used with embroidery threads for smooth operation; eliminates thread breakage.



088 Multi-Purpose Spray Adhesive

- Heat and water-resistant; a low soak-in rate multi-purpose adhesive spray.
- For temporary and permanent bonds. Wide coverage of est. 30-45 Sq.M.
- Longer open time, higher bonding strength and stronger stickiness.
- Excellent for various types of embroidery appliqué work.



090 Machine Maintenance RD-90 Spray Lubricant

- An industrial oil-based lubricant for all types of machinery and equipment.
- Stops squeaking, cleans and prevents rust, and displaces moisture.
- Long lasting, time saving; an efficient lubricant for all trades.
- Use on parts, shafts and rotary systems of all types of apparel equipment.



190 Malodor Neutralizer

- Keeps rooms fresh and fragrant.
- Attacks odors trapped in carpeting, upholstery, store-room, office and draperies without staining.
- Specially formulated to eliminate offensive odors without wet fall-out.
- Excellent for use in the office, store-room and operation rooms in both garment and embroidery factories.



551 Rust Remover

- An economic and efficient rust-removing product.
- Removes rust from most textile fabrics in the apparel factories.
- Just spray on desired areas of rust stain and rinse off for removing most rust stains easily.



709 Electronic Contact Cleaner

- Excellent precision product that removes contaminants from electronic/electrical contact points.
- Quick-dry, leaves no residue; safe on plastics.
- Excellent for cleaning the IC board and contact points of automatic sewing and computerized embroidery machines.



715 White Grease Lubricant Spray

- High industrial grade grease lubricant for all trades.
- Provides long-lasting, non-contaminated lubricating film with excellent heat resistance.
- Specially used for the center shafts of computerized embroidery machines and conveying work-stations in apparel factories.



716 Belt Dressing

- Economic and efficient belt dressing spray product.
- Stops belt slippage, increases belt power up to 50%.
- Prolongs belt life span by preventing dry rot and air rot.
- For all types of V-belts, rubber belts and industrial belt drives in both the apparel and embroidery factories.



732 Clean Up Dry Cleaner

- Economic industrial grade non-flammable solvent cleaner.
- Removes oil and grease stains, uncured urethane, sealants, adhesives and fresh paint.
- Can be used on most types of fabrics, machine parts, metals and rugs.



804 Lint & Dust Remover

- Excellent moisture-free air blaster for removing dirt, tiny fabric scraps in sewing and embroidery environment.
- Easy, efficient and accurate pinpoint application for hard-to-reach places.
- Specially good for cleaning sewing, cutting and embroidery machines without leaving any residue and film.



805 Clean Jet 100

- Cleans small, delicate and tight areas on computers, circuits, and sewing machines.
- Compact, portable source of ultra-clean gas for precision removal of particles.
- Non-flammable; high pressure spray.
- Safe to use on all electronic energized equipment.



819 Fabric Stiffener

- Designed to help temporarily stiffen fabrics when curing and softness is a problem in sewing.
- Excellent for lace making, knitted fabric, battenberg and heirloom sewing.
- Prevents fabrics from fraying until washed out.



821 No Fray Spray

- Special formula to help eliminate over-edge stitching, seam failure and thread slippage.
- Fast-drying when applied at the edge of the fabrics.
- Helps factories to save redundant labor, time and space.

Rooms

Sprayway®



822 Fast Tack Adhesive

- Special formula for various embroidery appliqué work.
- Fast tack and long open time for efficient embroidery work.
- Repositioning, non-wrinkling, heat-resistant.
- Will not gum up needles and reduces thread-breakages.
- Improves productivity, offers time saving and high efficiency.



823 Fusing Machine Cleaner

- Special formula for cleaning Teflon-coated fusing belts and iron sole.
- Effectively removes residual adhesives and contaminants.
- Non-flammable under fusing conditions. (Flash point: 240°C/465°F; ignition point: above 240°C/465°F).
- Can continue to work when cleaning the fusing belts without stopping the fusing operation.



830 Spot Lifter (Industrial Formula)

- Special formula for any fabric clothing operation.
- Excellent for removing oil and grease stains on fabrics without leaving rings.
- Easy and simple application. Spray, let dry and brush off the stain spots.
- Safe to use on wool, knitted, cotton, silk and synthetic materials.
- High efficiency and productivity to help meet shipment dates when faced with oil and grease stains on finished garments.



831 Spot Lifter (Fast Powder)

- Specially designed as a fast dry powder system.
- Fresh scent fragrance.
- Special formula for any fabric clothing operation.
- Excellent for removing oil and grease stains on fabrics without leaving rings.
- Easy and simple application. Spray, let dry and brush off the stain spots.
- Safe to use on wool, knitted, cotton, silk and synthetic materials.
- High efficiency and productivity to help meet shipment dates when faced with oil and grease stains on finished garments.



832 Spot Lifter (Economy Size)

- Economical type spot lifter, specially designed for home and personal use.
- Specially designed as a fast dry-powder system.
- Excellent for removing oil, grease stains and a variety of spots on fabrics.
- Easy and simple application. Spray, let dry and brush off the stain spots.
- Safe to use on wool, knitted, cotton, silk and delicate materials.



833 Spot Lifter (Non-Chlorinated)

- Specially designed without chlorinated solvent to meet today's health environment requirement.
- Excellent for removing oil and grease stains on fabrics without leaving rings.
- Easy and simple application. Spray, let dry and brush off the stain spots.
- Safe to use on wool, knitted, cotton, silk and synthetic materials.
- High efficiency and productivity to help meet shipment dates when faced with oil and grease stains on finished garments.



894 Multi-Purpose Adhesive Remover

- Water-based and non-flammable without harming the surfaces.
- Easy and economical to use on oil-based enamel, fabrics, metal, woods, except latex paint background.
- Help to remove the excessive sprayed adhesive on the pattern grading board in the garment factory and embroidery machines panel.



945 Dry Silicone Spray

- Fast dry, non-staining and durable smooth coating for very smooth and easy operation.
- Stops squeaking, sticking, protects surfaces and retards corrosion.
- Increase the life span of cutting blades, rotary hooks and protects machine paint from stains and rust.
- Time saving and increases productivity.

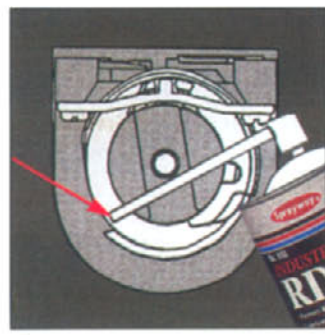


961 Hoil Penetrating Oil & Rust Preventative

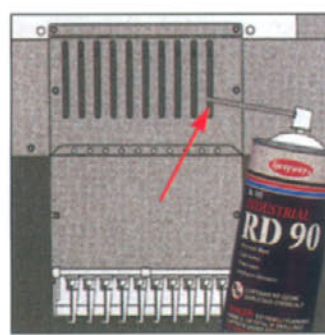
- A most efficient and effective way to loosen rusty nuts, bolts, shafts, screws, pipes and many machine parts.
- Great savings of time, labor and money.
- Helps to lubricate, retards rust and prevents corrosion.
- Excellent for servicing aging sewing equipment, irons and finishing equipment.



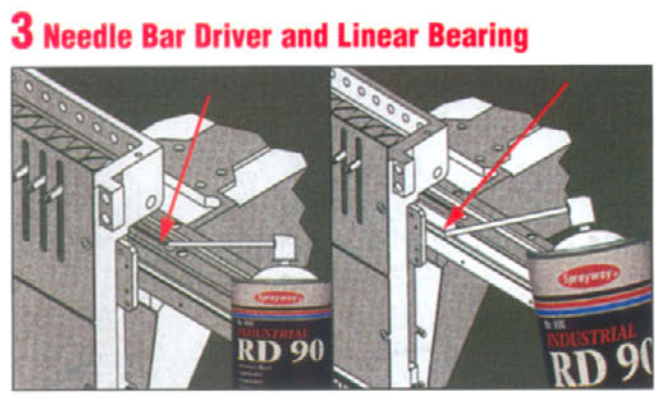
Super Lubricant For Embroidery Systems Maintenance



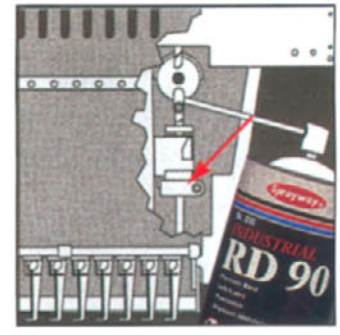
1 Rotary Hook
Apply only once every 4 operating hours.
Stop the machine and remove the spool cases. Turn the hook on its axis to align the lubrication notch with the opening in the crown. Verify the cleanliness of the notch and clean before lubrication if necessary.



2 Needle Bar
Lubricate every 80 operating hours

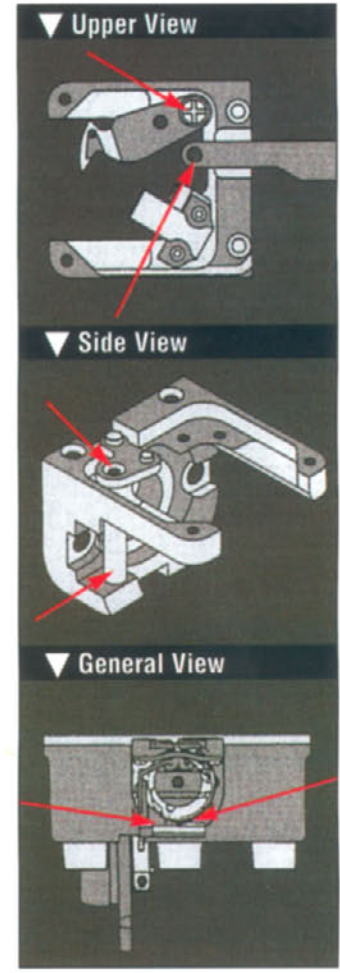


3 Needle Bar Driver and Linear Bearing
Lubricate every 80 operating hours



4 Connecting Rod
Lubricate every 80 operating hours

5 Head Trimmer Parts
Lubricate every 4 operating hours



RD-90 Machine Maintenance Spray Lubricant

Must Be Applied To Clean Parts

- Film coating keeps moving parts and operating systems running smoothly
- Prevents rust; displaces moisture
- Acts as quick release agent on corroded or frozen parts
- Contains no silicone
- Contains no ozone depleting chemicals

Other Sprayway Embroidery Products:

- No. 031 Crazy Clean All Purpose Cleaner
- No. 63 C-60 Solvent Cleaner & Degreaser
- No. 066 Premium Mist Spray Adhesive
- No. 077 Wet Silicone Lubricant
- No. 088 Multi-Purpose Spray Adhesive
- No. 519 Air Duster
- No. 709 Electronic Contact Cleaner
- No. 715 White Grease Lubricant
- No. 822 Fast Tack Adhesive
- No. 830 Sport Lifter
- No. 945 Dry Silicone Spray

Drawings provided as a guide only. Consult the machine service manual and instructions on lubricant can.

Sprayway

**Clean,
Protect,
Lubricate.**

**These Cost Effective
Aerosols** Keep Your
Sewing & Embroidery
Machines Running
Efficiently



**Safe,
Easy-To-Use,
Low-Cost.**

**These Sewing Machine
Maintenance sprays**
will extend the life and
increase the operating
efficiency of your equipment.



All original Sprayway
products are manufactured
for worldwide distribution in
the United States of America

**Choice of
three super
quality
adhesives**
that solve difficult
assembly and
positioning problems
for all types of
embroidery pattern
work and cutting
room applications.



Sprayway®

Fa. LEON CALLOT n.v.
K.M.O. Zone "BLAUWE STEEN"
Neerveld, 6
B-2550 KONTICH
Belgium
Tel. 03/457.58.20
Fax. 03/457.81.20